

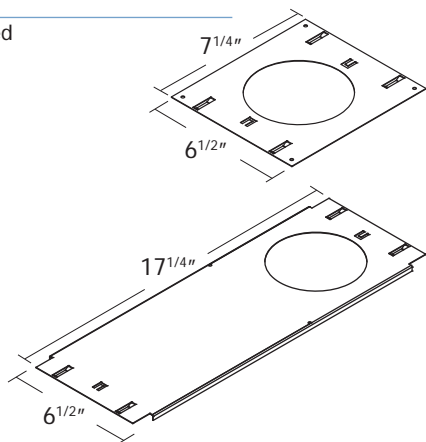
# Plates and Mounting Bars for use with «NON-IC» Type Housing

The mounting plates and mounting bars are used to facilitate the installation of the Remodel recessed fixture in a non-drywall ceiling:

- Suspended Ceiling Tiles
- Sofites
- Soft Stretch Ceilings

## Mounting Plates

Mounting bars required

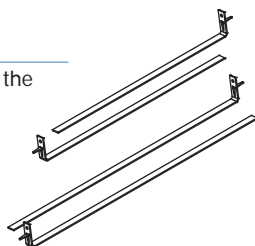


MODEL	HOLE CUT
P2000/P7000	ø 4 <sup>5</sup> / <sub>16</sub> " (109mm)
P2550/3600	ø 3 <sup>3</sup> / <sub>4</sub> " (95mm)
P4000	ø 3 <sup>5</sup> / <sub>16</sub> " (84mm)
P5000	ø 2 <sup>3</sup> / <sub>4</sub> " (70mm)

MODEL	HOLE CUT
P2000L	ø 4 <sup>5</sup> / <sub>16</sub> " (109mm)
P2550L	ø 3 <sup>3</sup> / <sub>4</sub> " (95mm)
P4000L	ø 3 <sup>5</sup> / <sub>16</sub> " (84mm)
P5000L	ø 2 <sup>3</sup> / <sub>4</sub> " (70mm)

## Adjustable Mounting Bars

Choose the mounting bars according to the distance in between the joists.



### Short Bars adjustable - 2 units

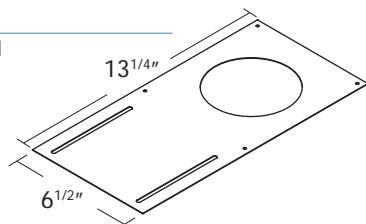
BARS From 13<sup>1</sup>/<sub>2</sub>" to 21<sup>3</sup>/<sub>4</sub>" (343mm to 553mm)

### Long Bars adjustable - 2 units

BARL From 19<sup>1</sup>/<sub>2</sub>" to 34" (495mm to 863mm)

## Mounting Plates

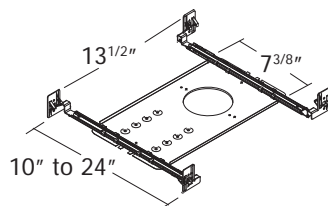
Mounting bars NOT required



MODEL	HOLE CUT
P2000N/P7000N	ø 4 <sup>5</sup> / <sub>16</sub> " (109mm)
P2550N/3600N	ø 3 <sup>3</sup> / <sub>4</sub> " (95mm)
P4000N	ø 3 <sup>5</sup> / <sub>16</sub> " (84mm)
P5000N	ø 2 <sup>3</sup> / <sub>4</sub> " (70mm)

## New Construction Mounting Plates

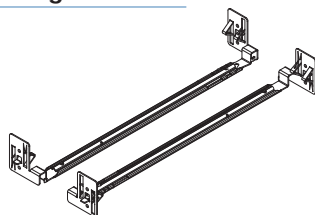
Mounting bars INCLUDED



MODEL	HOLE CUT
P2000NW/P7000NW	ø 4 <sup>5</sup> / <sub>16</sub> " (109mm)
P2550NW	ø 3 <sup>3</sup> / <sub>4</sub> " (95mm)
P4000NW	ø 3 <sup>5</sup> / <sub>16</sub> " (84mm)

## New Construction Mounting Bars

Used in «NW» housings



### Interlocking adjustable Bars - 2 pairs

BARK From 10" to 24<sup>1</sup>/<sub>2</sub>" (254mm to 662mm)

