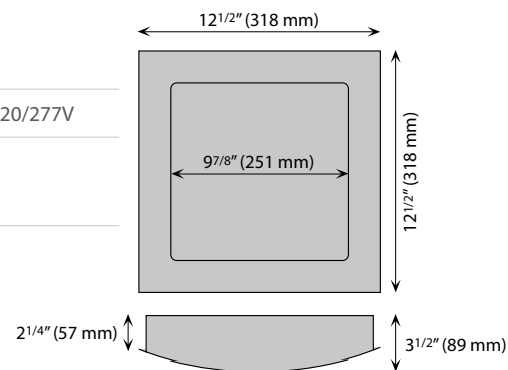


# DEC1000 & DEC1001

DEC1000



<b>Code</b>	DEC1000
<b>Ballast</b>	HPF Electronic 120/277V
<b>Lamps</b>	2 X 13W PL DTT 2 X 18W PL DTT 2 X 26W PL DTT
<b>Colors</b>	Metallic Grey

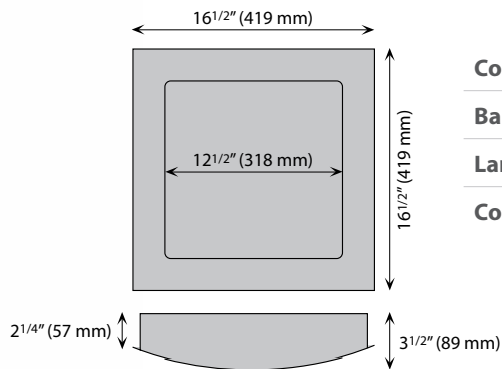


### Coding example: DEC100021815

Model	Voltage (V)	Wattage	Color
DEC1000	2	18	15

1 = 120 Volts  
2 = 277 Volts

DEC1001



<b>Code</b>	DEC1001
<b>Ballast</b>	HPF Electronic 120/277V
<b>Lamps</b>	2 X 18W PLL
<b>Colors</b>	Metallic Grey

### Coding example: DEC100111815

Model	Voltage (V)	Wattage	Color
DEC1001	1	18	15

1 = 120 Volts  
2 = 277 Volts