

# UR3A

## 3-1/2" Series Round Adjustable Trim



Project \_\_\_\_\_

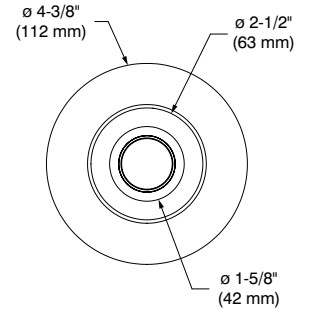
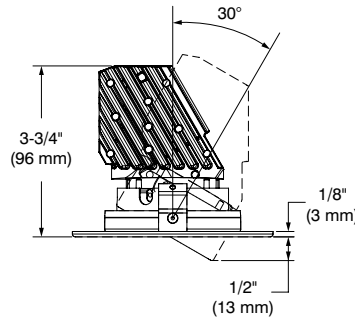
Notes \_\_\_\_\_

Fixture Type \_\_\_\_\_

Date \_\_\_\_\_



UR3A-12BR (illustrated)



## SPECIFICATIONS

### LED MODULE

#### SOLID COLORS

Lumileds Luxeon CoB  
 2,700K - CRI: 80+ and 90+  
 3,000K - CRI: 80+ and 90+  
 3,500K - CRI: 90+  
 4,000K - CRI: 90+  
 Lumens Maintenance:  
 L<sub>70</sub> @ 50,000 hours  
 Binning: 3 SDCM

### LED MODULE (CONT'D)

#### WARM DIMMING (WD)

LED module mimicking the halogen lamp dimming conditions by lowering color temperature from 3,050K at full intensity down to 1,800K at low-end while ensuring 90+ CRI throughout the whole process.  
 Lumens Maintenance:  
 L<sub>70</sub> @ 50,000 hours  
 Binning: 3 SDCM

### DELIVERED LUMENS

**Performance 1 (10W):**  
**1,018 lumens @ 3,000K, 101.8 lms/W**  
**Performance 2 (15W):**  
**1,326 lumens @ 3,000K, 88.4 lms/W**  
**Warm Dimming (15W):**  
**650 lumens @ 3,000K, 43.3 lms/W**

### OPTIC SYSTEM\*

Optical reflectors available:  
 Spot, Narrow Flood, Flood

#### Standard

Spot (S)	16°
Narrow Flood (M)	32°
Flood (L)	48°

\* Average beams shown. Consult .ies files on our Website for more details.

### LENS

Without lens (std)  
 Clear (C)  
 Frosted (F)  
 Honeycomb (H)  
 Linear (L)  
 Prismatic (P)  
 Solite (S)

### POWER SUPPLY

**(Determined by the choice of housing)**  
 120V - 277V  
 Several driver models available in two performances (10W and 15W) and in two dimming options (ELV and 0-10V).  
 See housing specification sheets for more details.

### HEAT SINK

High quality aluminum injected heat sink ensuring maximum heat dissipation.

### TRIM

Powder coat painted or plated die-formed steel. Tilt: up to 30°.

### CEILING CUTOUT

**ø 3-3/4" (95 mm)**

# UR3A

## 3-1/2" Series Round Adjustable Trim



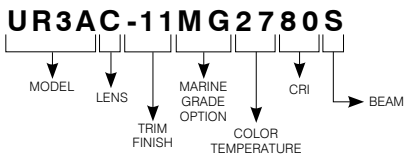
### SPECIFICATIONS (CONT'D)

#### COMPATIBLE HOUSINGS

	Remodel Housings	New Construction Housings	IC Housings
<b>Performance 1</b> 10W Warm Dimming not compatible	<b>IC and Air Tight</b> REUR3-120D1 REUR3-120E1 REUR3-277D1	<b>IC and Air Tight</b> NWUR3-120D1 NWUR3-120E1 NWUR3-277D1 <b>Emergency Driver Non-IC and Air Tight</b> NWUR3-120D1-EM NWUR3-120E1-EM NWUR3-277D1-EM	<b>Air Tight</b> ISUR3-120D1 ISUR3-120E1 ISUR3-277D1 <b>Chicago Plenum and Polyurethane Air Tight</b> ISUR3-120D1P ISUR3-120E1P ISUR3-277D1P
<b>Performance 2</b> 15W MAX	<b>Non-IC and Air Tight</b> REUR3-120D2 REUR3-120E2 REUR3-120EB2 REUR3-2772 REUR3-277D2	<b>Non-IC and Air Tight</b> NWUR3-120D2 NWUR3-120E2 NWUR3-120EB2 NWUR3-2772 NWUR3-277D2 <b>Emergency Driver Non-IC and Air Tight</b> NWUR3-120D2-EM NWUR3-120E2-EM NWUR3-120EB2-EM NWUR3-2772-EM NWUR3-277D2-EM	<b>Air Tight</b> ISUR3-120D2 ISUR3-120E2 ISUR3-120EB2 ISUR3-2772 ISUR3-277D2 <b>Chicago Plenum Air Tight</b> ISUR3-120D2P ISUR3-120E2P ISUR3-120EB2P ISUR3-2772P ISUR3-277D2P

For dimming, please visit our Web site frequently to find our suggested compatible dimmers list:  
[www.contrastlighting.com](http://www.contrastlighting.com)

#### CODIFICATION EXAMPLE



#### ORDERING CODE

MODEL	LENS	TRIM FINISHES	MARINE GRADE	COLOR TEMPERATURES	CRI	BEAMS
<b>UR3A</b>						
UR3A	Without lens (std)	<b>-03SA</b> Satin Gold	<b>MG (optional)</b>	<b>27</b> 2,700K (80+ and 90+ CRI)	<b>80</b> 80+	<b>S</b> Spot (16°)
	<b>C</b> Clear	<b>-04BR</b> Brushed Chrome	May be applied on finishes: -11 and -22	<b>30</b> 3,000K (80+ and 90+ CRI)	<b>90</b> 90+	<b>M</b> Narrow Flood (32°)
	<b>F</b> Frosted	<b>-11</b> Matte White		<b>35</b> 3,500K (90+ CRI)		<b>L</b> Flood (48°)
	<b>H</b> Honeycomb	<b>-12BR</b> Brushed Nickel		<b>40</b> 4,000K (90+ CRI)		
	<b>L</b> Linear	<b>-13</b> Satin Nickel		<b>WD</b> Warm Dimming (90+ CRI)		
	<b>P</b> Prismatic	<b>-22</b> Matte Black				
	<b>S</b> Solite					

#### CERTIFICATION

cULus **E343977** for damp locations

#### WARRANTY

1 year on components against manufacturing defects  
 5 years on LED arrays and drivers

# CONTRASTE

1009, rue du Parc Industriel  
 Lévis (Québec) G6Z 1C5 Canada  
 Tel.: 1-888-839-4624  
 Fax.: 1-877-839-7057  
 contrastlighting.com  
 info@contrastlighting.com

© 2017 Contrast Lighting M.L. Inc.  
 All rights reserved

Contrast Lighting M.L. Inc. reserves the right to make changes in specifications and/or to discontinue any product at any time without notice or obligation and will not be liable for any consequences resulting from the use of this publication.

## SPECIFICATION SHEET

# UR3A

## 3-1/2" Series Round Adjustable Trim



### GOOF RINGS

---

**Code:** RR3-03SA (Satin Gold)  
 RR3-04BR (Brushed Chrome)  
 RR3-11 (Matte White)  
 RR3-12BR (Brushed Nickel)  
 RR3-13 (Satin Nickel)  
 RR3-22 (Matte Black)

Outside diameter:  $\varnothing$  6-1/8" (156 mm)  
 Inside diameter:  $\varnothing$  3-11/16" (94 mm)

### OPENING ADAPTOR

---

Can lip adaptor for 3-1/2" (89 mm) pot in a  
 4-1/4" (108 mm) opening.

**Finish:** Galvanized steel

**Code:** 312296

Outside diameter:  $\varnothing$  4-5/16" (110 mm)  
 Inside diameter:  $\varnothing$  3-5/8" (92 mm)

# CONTRASTE

1009, rue du Parc Industriel  
 Lévis (Québec) G6Z 1C5 Canada  
 Tel.: 1-888-839-4624  
 Fax.: 1-877-839-7057  
 contrastlighting.com  
 info@contrastlighting.com

© 2017 Contrast Lighting M.L. Inc.  
 All rights reserved

Contrast Lighting M.L. Inc. reserves the right to make changes in specifications  
 and/or to discontinue any product at any time without notice or obligation and will  
 not be liable for any consequences resulting from the use of this publication.

# UR3A

## 3-1/2" Series Round Adjustable Trim



### PHOTOMETRIC DATA

#### With performance 1 housing

	Spot		Narrow Flood		Flood	
<b>2,700K with 80+ CRI</b>	806 lms	80.6 lms/W	994 lms	99.4 lms/W	1,011 lms	101.1 lms/W
<b>3,000K with 80+ CRI</b>	826 lms	82.6 lms/W	1,018 lms	101.8 lms/W	1,035 lms	103.5 lms/W

<b>2,700K with 90+ CRI</b>	670 lms	67 lms/W	826 lms	82.6 lms/W	839 lms	83.9 lms/W
<b>3,000K with 90+ CRI</b>	692 lms	69.2 lms/W	853 lms	85.3 lms/W	868 lms	86.8 lms/W
<b>3,500K with 90+ CRI</b>	731 lms	73.1 lms/W	901 lms	90.1 lms/W	916 lms	91.6 lms/W
<b>4,000K with 90+ CRI</b>	750 lms	75 lms/W	925 lms	92.5 lms/W	941 lms	94.1 lms/W

Performance 1 Housings Factors	
XXUR-120E1	0.90
XXUR-120D1 ou XXUR-277D1	1

#### With performance 2 housing

	Spot		Narrow Flood		Flood	
<b>2,700K with 80+ CRI</b>	1,050 lms	70 lms/W	1,295 lms	86.3 lms/W	1,316 lms	87.7 lms/W
<b>3,000K with 80+ CRI</b>	1,075 lms	71.6 lms/W	1,326 lms	88.4 lms/W	1,348 lms	89.8 lms/W

<b>2,700K with 90+ CRI</b>	872 lms	58.1 lms/W	1,075 lms	71.6 lms/W	1,093 lms	72.8 lms/W
<b>3,000K with 90+ CRI</b>	901 lms	60 lms/W	1,111 lms	74 lms/W	1,130 lms	75.3 lms/W
<b>3,500K with 90+ CRI</b>	951 lms	63.4 lms/W	1,173 lms	78.2 lms/W	1,193 lms	79.5 lms/W
<b>4,000K with 90+ CRI</b>	977 lms	65.1 lms/W	1,205 lms	80.3 lms/W	1,225 lms	81.6 lms/W
<b>Warm Dimming with 90+ CRI</b>	527 lms	35.1 lms/W	650 lms	43.3 lms/W	661 lms	44 lms/W

Performance 2 Housings Factors	
XXUR-120E2	0.95
XXUR-120EB2, XXUR-120D2, XXUR-2772 ou XXUR-277D2	1

Lens Factors	
STD	1
C	0.97
F	0.68
H	0.54

# CONTRASTE

1009, rue du Parc Industriel  
Lévis (Québec) G6Z 1C5 Canada  
Tel.: 1-888-839-4624  
Fax.: 1-877-839-7057  
contrastlighting.com  
info@contrastlighting.com

© 2017 Contrast Lighting M.L. Inc.  
All rights reserved

Contrast Lighting M.L. Inc. reserves the right to make changes in specifications and/or to discontinue any product at any time without notice or obligation and will not be liable for any consequences resulting from the use of this publication.

# UR3A

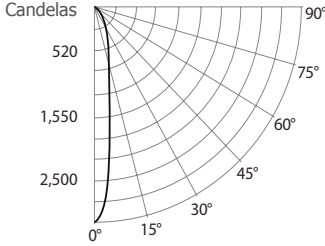
## 3-1/2" Series Round Adjustable Trim



### PHOTOMETRIC DATA

#### 3,000K, 90+ CRI, Spot, Performance 1

##### CANDLEPOWER DISTRIBUTION



##### LIGHT CONE

Distance	FC	DIA
06'	85.6	1.7'
08'	48.1	2.3'
10'	30.8	2.9'
12'	21.4	3.5'
14'	15.7	4.1'
16'	12	4.7'

Beam: 16"  
Beam Edge defined as 50% of Maximum Nadir Candle-power.

##### LUMINAIRE

Performance 1 LED	3,000K Spot	
CPCB / Lumens	3,080	/ 692
Watts	120V	277V
	10W	10W
Operating AMPS	0.083A	0.036A
Lumen Maintenance	L70 @ 50,000 Hrs	
CRI	90+	
Lumens/Watt	69.2	
Spacing Criteria	0.07	

##### COEFFICIENT OF UTILIZATION - %

Ceiling Reflect %	80			50			30		
Wall Reflect %	50	30	50	30	50	30	50	30	
RCR 0	119	119	111	111	106	106	106	106	
2	104	100	99	96	96	94	96	94	
4	92	87	89	85	87	84	87	84	
6	83	78	81	77	80	76	80	76	
8	76	71	75	70	74	70	74	70	
10	70	65	69	65	68	64	68	64	

Zonal Cavity Method  
Effective Floor Cavity Reflectance 20%

##### ZONAL LUMEN SUMMARY

ZONE	LUMENS	%LUMINAIRE
0-30	530.3	76.6%
0-40	639.5	92.4%
0-60	670.5	96.9%
60-90	21.5	3.1%
0-90	692.0	100%

##### MULTIPLE UNIT DATA - (RCR 2)

SPACING ON CENTER	INITIAL FOOTCANDLES	WATTS/SQ. FT.
5'	34	0.44
6'	19	0.25
7'	13	0.17
8'	13	0.17
9'	8	0.11

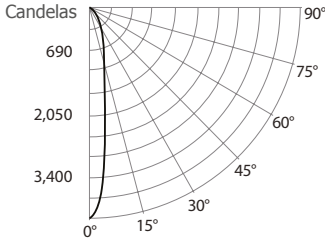
38' x 38' x 10' Room. Workplan located 2-1/2' (30").  
Reflectance factor 80%/50%/30%

##### CANDELAS DISTRIBUTION

DEGREES/VERTICAL	CANDELAS
0	3,080
15	683
30	235
45	25
65	9
75	8
90	0

#### 3,000K, 90+ CRI, Spot, Performance 2

##### CANDLEPOWER DISTRIBUTION



##### LIGHT CONE

Distance	FC	DIA
06'	111.4	1.7'
08'	62.7	2.3'
10'	40.1	2.8'
12'	27.8	3.4'
14'	20.5	4.0'
16'	15.7	4.5'

Beam: 16"  
Beam Edge defined as 50% of Maximum Nadir Candle-power.

##### LUMINAIRE

Performance 2 LED	3,000K Spot	
CPCB / Lumens	4,010	/ 901.7
Watts	120V	277V
	15W	15W
Operating AMPS	0.125A	0.054A
Lumen Maintenance	L70 @ 50,000 Hrs	
CRI	90+	
Lumens/Watt	60.1	
Spacing Criteria	0.07	

##### COEFFICIENT OF UTILIZATION - %

Ceiling Reflect %	80			50			30		
Wall Reflect %	50	30	50	30	50	30	50	30	
RCR 0	119	119	111	111	106	106	106	106	
2	104	100	99	96	96	94	96	94	
4	92	87	89	85	87	84	87	84	
6	83	78	81	77	80	76	80	76	
8	76	71	75	70	74	69	74	69	
10	70	65	69	64	68	64	68	64	

Zonal Cavity Method  
Effective Floor Cavity Reflectance 20%

##### ZONAL LUMEN SUMMARY

ZONE	LUMENS	%LUMINAIRE
0-30	690.5	76.6%
0-40	832.5	92.3%
0-60	873.3	96.8%
60-90	28.4	3.2%
0-90	901.7	100%

##### MULTIPLE UNIT DATA - (RCR 2)

SPACING ON CENTER	INITIAL FOOTCANDLES	WATTS/SQ. FT.
5'	44	0.66
6'	25	0.37
7'	17	0.26
8'	17	0.26
9'	11	0.17

38' x 38' x 10' Room. Workplan located 2-1/2' (30").  
Reflectance factor 80%/50%/30%

##### CANDELAS DISTRIBUTION

DEGREES/VERTICAL	CANDELAS
0	4 010
15	890
30	307
45	33
65	12
75	11
90	0

# UR3A

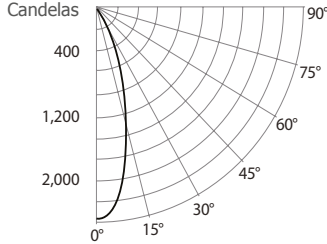
## 3-1/2" Series Round Adjustable Trim



### PHOTOMETRIC DATA

#### 3,000K, 90+ CRI, Narrow Flood, Performance 1

##### CANDLEPOWER DISTRIBUTION



##### LIGHT CONE

Distance	FC	DIA
06'	65.3	3.5'
08'	36.7	4.7'
10'	23.5	5.9'
12'	16.3	7.1'
14'	12.0	8.3'
16'	9.2	9.5'

Beam: 33°  
Beam Edge defined as 50% of Maximum Nadir Candle-power.

##### LUMINAIRE

Performance 1 LED	3,000K Narrow Flood	
CPCB / Lumens	2 350	/ 852,9
Watts	120V	277V
	10W	10W
Operating AMPS	0.083A	0.036A
Lumen Maintenance	L70 @ 50,000 Hrs	
CRI	90+	
Lumens/Watt	85.2	
Spacing Criteria	0.14	

##### COEFFICIENT OF UTILIZATION - %

Ceiling Reflect %	80		50		30		
Wall Reflect %	50	30	50	30	50	30	
RCR	0	119	119	111	111	106	106
	2	106	103	102	99	99	97
	4	96	92	93	90	91	88
	6	88	83	86	82	85	81
	8	81	76	80	76	79	75
	10	75	71	74	70	73	70

Zonal Cavity Method  
Effective Floor Cavity Reflectance 20%

##### ZONAL LUMEN SUMMARY

ZONE	LUMENS	%LUMINAIRE
0-30	786.9	92.3%
0-40	846.2	99.2%
0-60	852.9	100%
60-90	0	0%
0-90	852.9	100%

##### MULTIPLE UNIT DATA - (RCR 2)

SPACING ON CENTER	INITIAL FOOTCANDLES	WATTS/SQ. FT.
5'	42	0.44
6'	24	0.25
7'	17	0.17
8'	17	0.17
9'	11	0.11

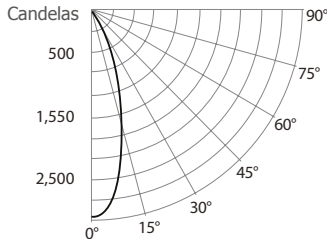
38' x 38' x 10' Room. Workplan located 2-1/2' (30").  
Reflectance factor 80%/50%/30%

##### CANDELAS DISTRIBUTION

DEGREES/VERTICAL	CANDELAS
0	2,350
15	1,314
30	251
45	5
60	0
75	0
90	0

#### 3,000K, 90+ CRI, Narrow Flood, Performance 2

##### DISTRIBUTION DES CANDELAS



##### LIGHT CONE

Distance	FC	DIA
06'	85.0	3.5'
08'	47.8	4.7'
10'	30.6	5.9'
12'	21.3	7.1'
14'	15.6	8.3'
16'	12.0	9.5'

Beam: 33°  
Beam Edge defined as 50% of Maximum Nadir Candle-power.

##### LUMINAIRE

Performance 2 LED	3,000K Narrow Flood	
CPCB / Lumens	3,061	/ 1,111.3
Watts	120V	277V
	15W	15W
Operating AMPS	0.125A	0.054A
Lumen Maintenance	L70 @ 50,000 Hrs	
CRI	90+	
Lumens/Watt	74	
Spacing Criteria	0.14	

##### COEFFICIENT OF UTILIZATION - %

Ceiling Reflect %	80		50		30		
Wall Reflect %	50	30	50	30	50	30	
RCR	0	119	119	111	111	106	106
	2	106	103	102	99	99	97
	4	96	92	93	90	91	88
	6	88	83	86	82	85	81
	8	81	76	80	76	79	75
	10	75	71	74	70	73	70

Zonal Cavity Method  
Effective Floor Cavity Reflectance 20%

##### ZONAL LUMEN SUMMARY

ZONE	LUMENS	%LUMINAIRE
0-30	1,024.9	92.2%
0-40	1,102.2	99.2%
0-60	1,111.2	100%
60-90	0.1	0%
0-90	1,111.3	100%

##### MULTIPLE UNIT DATA - (RCR 2)

SPACING ON CENTER	INITIAL FOOTCANDLES	WATTS/SQ. FT.
5'	55	0.66
6'	31	0.37
7'	22	0.26
8'	22	0.26
9'	14	0.17

38' x 38' x 10' Room. Workplan located 2-1/2' (30").  
Reflectance factor 80%/50%/30%

##### CANDELAS DISTRIBUTION

DEGREES/VERTICAL	CANDELAS
0	3,061
15	1,712
30	328
45	7
60	1
75	0
90	0

# UR3A

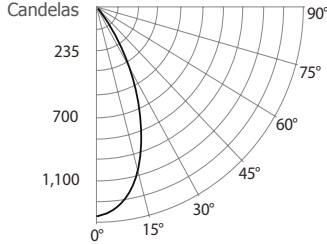
## 3-1/2" Series Round Adjustable Trim



### PHOTOMETRIC DATA

#### 3,000K, 90+ CRI, Flood, Performance 1

##### CANDLEPOWER DISTRIBUTION



##### LIGHT CONE

Distance	FC	DIA
06'	37.6	5.4'
08'	21.1	7.2'
10'	13.5	9.0'
12'	9.4	10.8'
14'	6.9	12.6'
16'	5.3	14.4'

Beam: 48°  
Beam Edge defined as 50% of Maximum Nadir Candle-power.

##### LUMINAIRE

Performance 1 LED	3,000K Flood	
CPCB / Lumens	1,353	/ 853.5
Watts	120V	277V
	10W	10W
Operating AMPS	0.083A	0.036A
Lumen Maintenance	L70 @ 50,000 Hrs	
CRI	90+	
Lumens/Watt	85.3	
Spacing Criteria	0.20	

##### COEFFICIENT OF UTILIZATION - %

Ceiling Reflect %	80			50			30		
Wall Reflect %	50	30	50	30	50	30	50	30	
RCR	0	119	119	111	111	106	106	106	
	2	105	101	100	97	97	94	94	
	4	93	88	89	85	87	84	84	
	6	83	77	81	76	79	75	75	
	8	75	69	73	68	72	68	68	
	10	68	62	66	62	66	61	61	

Zonal Cavity Method  
Effective Floor Cavity Reflectance 20%

##### ZONAL LUMEN SUMMARY

ZONE	LUMENS	%LUMINAIRE
0-30	701.7	82.2%
0-40	822.3	96.3%
0-60	851.8	99.8%
60-90	1.6	0.2%
0-90	853.5	100%

##### MULTIPLE UNIT DATA - (RCR 2)

SPACING ON CENTER	INITIAL FOOTCANDLES	WATTS/SQ. FT.
5'	42	0.44
6'	23	0.25
7'	16	0.17
8'	16	0.17
9'	10	0.11

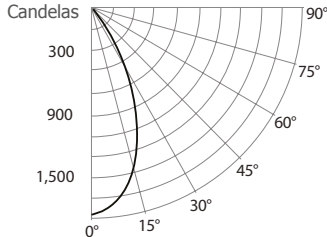
38' x 38' x 10' Room. Workplan located 2-1/2' (30").  
Reflectance factor 80%/50%/30%

##### CANDELAS DISTRIBUTION

DEGREES/VERTICAL	CANDELAS
0	1,353
15	1,070
30	374
45	30
60	3
75	0
90	0

#### 3,000K, 90+ CRI, Flood, Performance 2

##### CANDLEPOWER DISTRIBUTION



##### LIGHT CONE

Distance	FC	DIA
06'	48.9	5.4'
08'	27.5	7.2'
10'	17.6	9.0'
12'	12.2	10.8'
14'	9.0	12.6'
16'	6.9	14.4'

Beam: 48°  
Beam Edge defined as 50% of Maximum Nadir Candle-power.

##### LUMINAIRE

Performance 2 LED	3,000K Flood	
CPCB / Lumens	1,762	/ 1,111.5
Watts	120V	277V
	15W	15W
Operating AMPS	0.125A	0.054A
Lumen Maintenance	L70 @ 50,000 Hrs	
CRI	90+	
Lumens/Watt	74.1	
Spacing Criteria	0.20	

##### COEFFICIENT OF UTILIZATION - %

Ceiling Reflect %	80			50			30		
Wall Reflect %	50	30	50	30	50	30	50	30	
RCR	0	119	119	111	111	106	106	106	
	2	105	101	100	97	97	94	94	
	4	93	88	89	85	87	84	84	
	6	83	77	81	76	79	75	75	
	8	75	69	73	68	72	68	68	
	10	68	62	66	62	66	61	61	

Zonal Cavity Method  
Effective Floor Cavity Reflectance 20%

##### ZONAL LUMEN SUMMARY

ZONE	LUMENS	%LUMINAIRE
0-30	914.2	82.2%
0-40	1,071.3	96.4%
0-60	1,109.7	98.8%
60-90	1.8	0.2%
0-90	1,111.5	100%

##### MULTIPLE UNIT DATA - (RCR 2)

SPACING ON CENTER	INITIAL FOOTCANDLES	WATTS/SQ. FT.
5'	54	0.66
6'	30	0.37
7'	21	0.26
8'	21	0.26
9'	14	0.17

38' x 38' x 10' Room. Workplan located 2-1/2' (30").  
Reflectance factor 80%/50%/30%

##### CANDELAS DISTRIBUTION

DEGREES/VERTICAL	CANDELAS
0	1,762
15	1,394
30	487
45	39
60	4
75	0
90	0