

T4000

3" Series

Low Profile Adjustable Trim

SPECIFICATIONS

TRIM	Powder coat painted or plated die-formed steel. Different finishes available. Painted finishes available with Marine Grade option.
LAMP	MR16 20-35W This product was designed for MR16 halogen lamps. If you want to use the dimming option and you replace the MR16 lamp by an equivalent LED lamp, please refer regularly dimmer compatibility list on our Website.
CEILING CUTOUT	Ø 3-1/4" (82 mm)
CERTIFICATION	cULus E174023 for damp locations
WARRANTY	1 year for standard finishes, 2-year on "Marine Grade" finish.

Project _____

Notes _____

Fixture Type _____

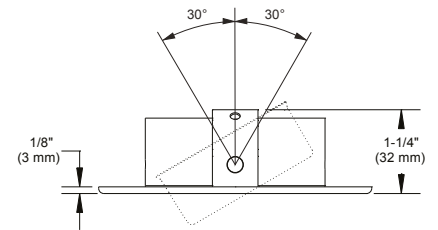
Date _____



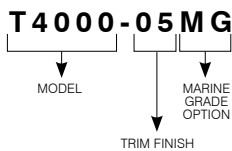
T4000-02 (illustrated)

COMPATIBLE HOUSINGS

	Remodel Housing	New Construction Housing	Insulated Housing
HALOGENS	MR16 GU 5.3 20W IT4000CE IT4000CM MR16 GU 5.3 35W IT4000E IT4000M	MR16 GU 5.3 35W NW4000E NW4000M	MR16 GU 5.3 20W ISMR4000M ISMR4000M20

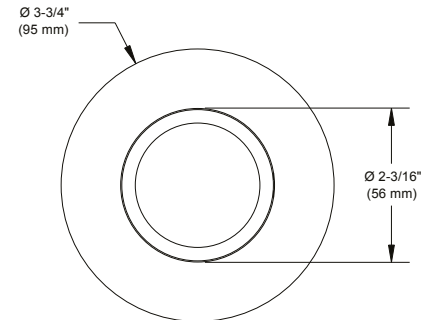


CODIFICATION EXAMPLE



ORDERING CODE

MODEL	TRIM FINISH	MARINE GRADE
T4000		
-01	White	-06 Antique Copper
-02	Black	-11 Matte White
-03	Gold Plated 24K	-12BR Brushed Nickel
-04	Chrome	-13 Satin Nickel
-04BR	Brushed Chrome	-15 Metallic Grey
-05	Architectural Bronze	
		MG (optional) May be applied on finishes: -01, -02, -05, -06, -11 and -15



MARINE GRADE - Unless otherwise indicated, trims are for interior, cold and exterior locations where fixtures are not subjected to direct rain or snow exposure as in soffits. MARINE GRADE treatment is recommended for exterior, shower and high salinity environment uses.

