

# T2000

4" Series

## Low Profile Adjustable Trim

|              |  |
|--------------|--|
| Project      |  |
| Notes        |  |
| Fixture Type |  |
| Date         |  |

### SPECIFICATIONS

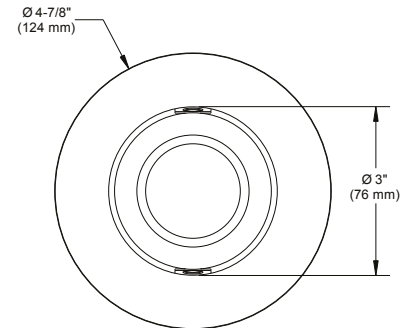
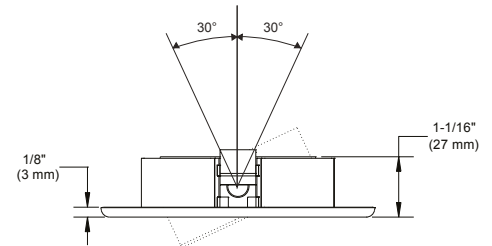
|                            |   |  |
|----------------------------|---|--|
| TRIM                       | Powder coat painted or plated die-formed steel. Different finishes available. Painted finishes available with Marine Grade option.  |  |
| LAMPS<br>(maximum wattage) | <b>GU10 LED 9.8W</b><br><b>MR16 LED GU 5.3 11.5W</b><br><b>PAR16 LED 8W</b>   | <b>GU10 50W</b><br><b>MR16 GU 5.3 35-75W</b> |
|                            | If you want to use the dimming option and you use a GU10 LED lamp, please refer regularly to the lamp manufacturer compatibility list.<br>For dimming a MR16 LED lamp, please refer to the selected housing specification sheet (compatible housings list below).<br><b>*Use supplied glass lens only with un protected MR16 lamps.</b> |  |
| CEILING CUTOUT             | Ø 4-1/4" (108 mm)   |  |
| CERTIFICATION              | <ul style="list-style-type: none"> <li>cULus <b>E343977</b> for <b>damp locations</b> (for GU10, MR16 and PAR16 LED lamps)</li> <li>cULus <b>E174023</b> for <b>damp locations</b> (for MR16, GU10 halogen lamps)</li> </ul>  |  |
| WARRANTY                   | 1 year for standard finishes, 2 years on "Marine Grade" finishes.   |  |



T2000-03P (illustrated)  
(Lamp not included)

### COMPATIBLE HOUSINGS

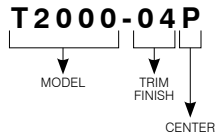
|          | IC Air Tight Remodel Housing  | IC Air Tight New Construction Housing  |
|----------|---|--|
| LED      | <b>GU10 LED 9.8W</b><br>IT2000CT-LED<br>IT2000T-LED<br><br><b>MR16 LED GU 5.3 11.5W</b><br>IT2000CE-LED<br>IT2000E-LED<br><br><b>PAR16 LED 8W</b><br>CA2000-LED | <b>GU10 LED 9.8W</b><br>NW2000CT-LED<br>NW2000T-LED<br><br><b>MR16 LED GU 5.3 11.5W</b><br>NW2000CE-LED<br>NW2000E-LED<br><br><b>PAR16 LED 8W</b><br>NW2000CA-LED                                      |
| HALOGENS | <b>Remodel Housing</b><br><b>MR16 GU 5.3 42W</b><br>IT2000CE<br>IT2000CM<br><br><b>MR16 GU 5.3 50W</b><br>IT2000E<br>IT2000M<br><br><b>GU10 50W</b><br>IT2000T  | <b>New Construction Housing</b><br><b>MR16 GU 5.3 42W</b><br>NW2000CE<br><br><b>MR16 GU 5.3 50W</b><br>NW2000CM<br>NW2000E<br><br><b>MR16 GU 5.3 75W</b><br>NW2000LM<br><br><b>GU10 50W</b><br>NW2000T |
|          |   | <b>Insulated Housing</b><br><b>MR16 GU 5.3 35W</b><br>ISMR2000E35<br><br><b>MR16 GU 5.3 50W</b><br>ISMR2000M<br><br><b>GU10 50W</b><br>ISMR2000T   |



# T2000

## 4" Series

### CODIFICATION EXAMPLE



### ORDERING CODE

| MODEL        | TRIM FINISH                     | CENTER   | MARINE GRADE   |
|--------------|---------------------------------|--|--|
| <b>T2000</b> |                                 |  |  |
| T2000        | <b>-01</b> White                | <b>Standard: Smooth center</b><br>On all finishes except <b>-03</b> and <b>-04</b> whose centers are striated.<br><br>For a polished center on <b>-03</b> and <b>-04</b> finishes, add <b>P</b> to code. | <b>MG</b> (optional)<br>May be applied on finishes:<br>-01, -02, -05, -06, -11 and -15 |
|              | <b>-02</b> Black                |  |  |
|              | <b>-03</b> Gold Plated 24K      |  |  |
|              | <b>-04</b> Chrome               |  |  |
|              | <b>-04BR</b> Brushed Chrome     |  |  |
|              | <b>-05</b> Architectural Bronze |  |  |
|              | <b>-06</b> Antique Copper       |  |  |
|              | <b>-11</b> Matte White          |  |  |
|              | <b>-12BR</b> Brushed Nickel     |  |  |
|              | <b>-13</b> Satin Nickel         |  |  |
|              | <b>-15</b> Metallic Grey        |  |  |
|              | <b>-17</b> Antique Nickel       |  |  |

**MARINE GRADE** - Unless otherwise indicated, trims are for interior, cold and exterior locations where fixtures are not subject to direct rain or snow exposure as in soffits. MARINE GRADE treatment is recommended for exterior, shower and high salinity environment.

