

SPECIFICATION SHEET

REA4V

4" Series - Ardito

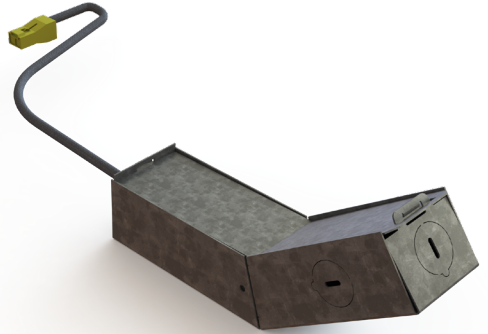
Remodel Housing

Project _____

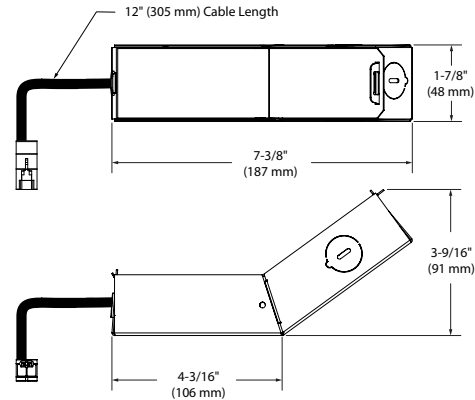
Notes _____

Fixture type _____

Date _____



REA4V (illustrated)



SPECIFICATIONS

HOUSING DETAILS	Galvanized steel housing Junction box can support up to 10 - 14 gauge wires or 8 - 12 gauge wires (90° wires) Below-ceiling accessible	
MOUNTING AND SUPPORT	<p>Round Cutout: \varnothing 4-1/4" (108 mm)</p> <p>Square Cutout: 4-1/4" (108 mm) x 4-1/4" (108 mm)</p> <p>Mud-in-Plate: Required with the use of flangeless trim (MIPA4R, MIPA4S)</p> <p>Optional: Reusable steel cutout template for square trim (TEMP-SQ)</p> <p>Consult trims specification sheets for plenum space requirements Insulation material must be kept at least 3" (76 mm) away from the fixture Can fit in ceiling up to 1-1/2" (38 mm) thick</p>	
POWER	120V - 277V	
DRIVER (OPTIONS)	<p>PERFORMANCE 1</p> <p>1,300 lumens (14W) For standard (solid white) light engines</p> <p><u>2 types of dimming offered:</u></p> <ul style="list-style-type: none"> • Electronic Low Voltage (ELV) (120V only) • 0-10V (120V/277V) 	<p>PERFORMANCE 2</p> <p>1,900 lumens (23W) For standard (solid white) light engines</p> <p><u>2 types of dimming offered:</u></p> <ul style="list-style-type: none"> • Electronic Low Voltage (ELV) (120V only) • 0-10V (120V/277V)
	<p>Due to constant evolution of dimmers we must test them regularly. We invite you to consult frequently our Web site to find our dimmer compatibility list: www.contrastlighting.com</p>	
	<p>PERFORMANCE L</p> <p>700 lumens (12,5W) For "WD" (Warm Dimming) or "CT" (Color Tuning) light engines Consult trims specification sheets for complete details.</p> <p>WD (Warm Dimming)</p> <p><u>One driver available in one performance (12.5W) and offering one dimming option:</u></p> <ul style="list-style-type: none"> • 0-10V (120V/277V) <p>Consult Lumenetix Website (www.lumenetix.com) and refer to the documentation for the DDM119 module for more information.</p>	<p>CT (Color Tuning)</p> <p><u>One driver available in one performance (12.5W) and offering different control options:</u></p> <ul style="list-style-type: none"> • DMX512-A: 4 channels - DIM (dim level) - CCT (correlated color temperature) - SAT (saturation level) - HUE (color) • 0-10V: One dimmer per channel (ex.: DIM and CCT) • "Araya 5" iOS App. (free): Allows programmation of up to 5 scenes. The App. can be used to override the cabled system. <p>Consult Lumenetix Website (www.lumenetix.com) and refer to the documentation for the CTM119 module for more information.</p>

CONTRASTE

1009, rue du Parc Industriel
Lévis (Québec) G6Z 1C5 Canada
Tel.: 1-888-839-4624
Fax.: 1-877-839-7057
contrastlighting.com
info@contrastlighting.com

© 2017 Contrast Lighting M.L. Inc.
All rights reserved

Contrast Lighting M.L. Inc. reserves the right to make changes in specifications and/or to discontinue any product at any time without notice or obligation and will not be liable for any consequences resulting from the use of this publication.

REA4V

4" Series - Ardito

Remodel Housing



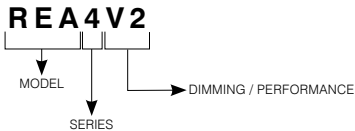
SPECIFICATIONS (CONT'D)

COMPATIBLE TRIMS	ROUND APERTURE			SQUARE APERTURE		
	Performance 1 (14W)	Performance 2 (23W)	Performance L (12.5W)	Performance 1 (14W)	Performance 2 (23W)	Performance L (12.5W)
	A4RAF	A4RAF	A4RAF	A4SAR	A4SAR	A4SAR
	A4RAR	A4RAR	A4RAR	A4SFR	A4SFR	A4SFR
	A4RFR	A4RFR	A4RFR	A4SSF	A4SSF	A4SFW
	A4RSF	A4RSF	A4RWW	A4SWW	A4SWW	
	A4RWW	A4RWW				

CERTIFICATION cULus **E343977** for damp locations and wet locations with the shower trims

WARRANTY 5 years on LED driver

CODIFICATION EXAMPLE



ORDERING CODES

MODEL	SERIES	DIMMING / PERFORMANCE
REA	4	
REA Boîtier rénovateur Ardito	4 4" Series	<p>V1 14W (1,300 lumens) 120V/277V 0-10V ELV (120V only)</p> <p>V2 23W (1,900 lumens) 120V/277V 0-10V ELV (120V only)</p> <p>VL 12.5W (700 lumens) 120V/277V To be used with "WD" or "CT" light engines</p> <p>WD: Warm Dimming CT: Color Tuning</p> <p>→ For more details, see page 1 (Driver (options))</p>

REA4V

4" Series - Ardito


Remodel Housing



MUD-IN-PLATE OPTION

Required with the use of a flangeless trim (see installation instructions for more details)

ROUND

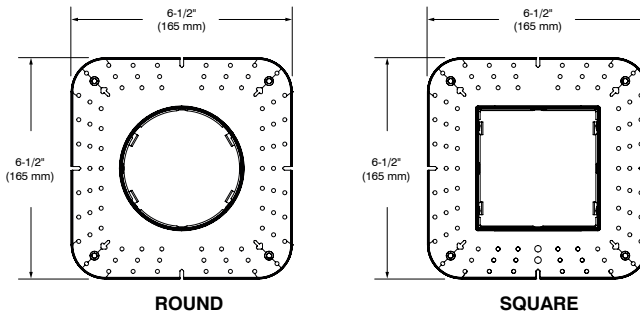
 \varnothing 4-1/4" (108 mm)

Code: MIPA4R

SQUARE

 4-1/4" (108 mm) x 4-1/4" (108 mm)

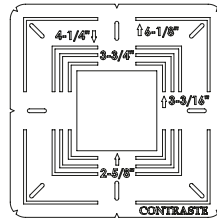
Code: MIPA4S



REUSABLE TEMPLATE OPTION

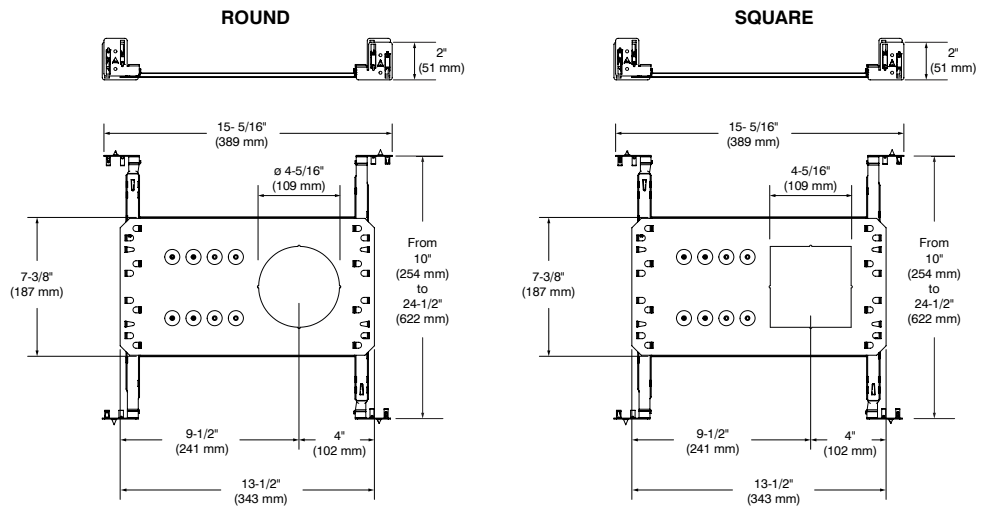
Reusable steel cutout template for square trim

Code: TEMP-SQ



MOUNTING PLATE OPTION

Code: PA4RNW (round)
PA4SNW (square)



CONTRASTE

1009, rue du Parc Industriel
Lévis (Québec) G6Z 1C5 Canada
Tel.: 1-888-839-4624
Fax.: 1-877-839-7057
contrastlighting.com
info@contrastlighting.com

© 2017 Contrast Lighting M.L. Inc.
All rights reserved

Contrast Lighting M.L. Inc. reserves the right to make changes in specifications and/or to discontinue any product at any time without notice or obligation and will not be liable for any consequences resulting from the use of this publication.