

SPECIFICATION SHEET

REA3V

3-1/2" Series - Ardito

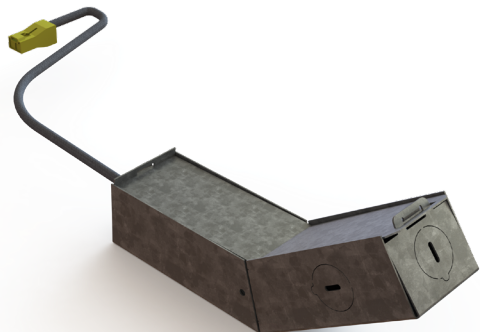
Remodel Housing

Project _____

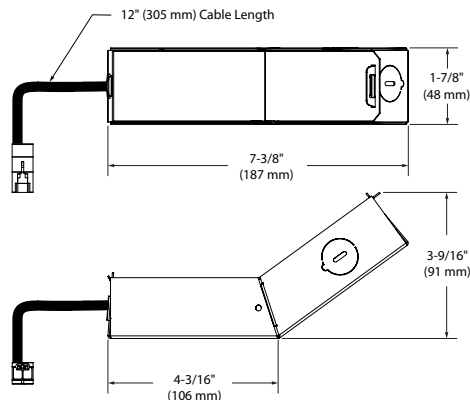
Notes _____

Fixture type _____

Date _____



REA3V (illustrated)



SPECIFICATIONS

HOUSING DETAILS	Galvanized steel housing Junction box can support up to 10 - 14 gauge wires or 8 - 12 gauge wires (90° wires) Below-ceiling accessible
-----------------	--

MOUNTING AND SUPPORT	<p>Round Cutout: ø 3-3/4" (95 mm) Square Cutout: 3-3/4" (95 mm) x 3-3/4" (95 mm) Mud-in-Plate: Required with the use of flangeless trim (MIPA3R, MIPA3S) Optional: Reusable steel cutout template for square trim (TEMP-SQ)</p> <p>Consult trims specification sheets for plenum space requirements Insulation material must be kept at least 3" (76 mm) away from the fixture Can fit in ceiling up to 1-1/2" (38 mm) thick</p>
----------------------	---

POWER	120V - 277V
-------	-------------

DRIVER (OPTIONS)	<p>PERFORMANCE 1</p> <p>1,300 lumens (14W) For standard (solid white) light engines</p> <p><u>2 types of dimming offered:</u></p> <ul style="list-style-type: none"> • Electronic Low Voltage (ELV) (120V only) • 0-10V (120V/277V) 	<p>PERFORMANCE 2</p> <p>1,900 lumens (23W) For standard (solid white) light engines</p> <p><u>2 types of dimming offered:</u></p> <ul style="list-style-type: none"> • Electronic Low Voltage (ELV) (120V only) • 0-10V (120V/277V)
------------------	---	---

Due to constant evolution of dimmers we must test them regularly.
 We invite you to consult frequently our Web site to find our dimmer compatibility list: www.contrastlighting.com

PERFORMANCE L
 700 lumens (12.5W)
 For "WD" (Warm Dimming) or "CT" (Color Tuning) light engines
 Consult trims specification sheets for complete details.

WD (Warm Dimming)
One driver available in one performance (12.5W) and offering one dimming option:

- 0-10V (120V/277V)

Consult Lumenetix Website (www.lumenetix.com) and refer to the documentation for the DDM119 module for more information.

CT (Color Tuning)
One driver available in one performance (12.5W) and offering different control options:

- DMX512-A: 4 channels - DIM (dim level) - CCT (correlated color temperature) - SAT (saturation level) - HUE (color)
- 0-10V: One dimmer per channel (ex.: DIM and CCT)
- "Araya 5" iOS App. (free): Allows programmation of up to 5 scenes. The App. can be used to override the cabled system.

Consult Lumenetix Website (www.lumenetix.com) and refer to the documentation for the CTM119 module for more information.

CONTRASTE

1009, rue du Parc Industriel
 Lévis (Québec) G6Z 1C5 Canada
 Tel.: 1-888-839-4624
 Fax.: 1-877-839-7057
contrastlighting.com
info@contrastlighting.com

© 2017 Contrast Lighting M.L. Inc.
 All rights reserved

Contrast Lighting M.L. Inc. reserves the right to make changes in specifications and/or to discontinue any product at any time without notice or obligation and will not be liable for any consequences resulting from the use of this publication.

REA3V

3-1/2" Series - Ardito

Remodel Housing



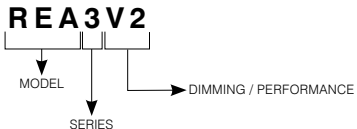
SPECIFICATIONS (CONT'D)

COMPATIBLE TRIMS	ROUND APERTURE			SQUARE APERTURE		
	Performance 1 (14W)	Performance 2 (23W)	Performance L (12.5W)	Performance 1 (14W)	Performance 2 (23W)	Performance L (12.5W)
	A3RAF	A3RAF	A3RAF	A3SAR	A3SAR	A3SAR
	A3RAR	A3RAR	A3RAR	A3SFR	A3SFR	A3SFR
	A3RFD	A3RFD	A3RFD	A3SSF	A3SSF	A3SFW
	A3RFR	A3RFR	A3RFR	A3SFW	A3SFW	
	A3RSF	A3RSF	A3RWW			
	A3RWW	A3RWW				

CERTIFICATION cULus **E343977** for damp locations and wet locations with the shower trims

WARRANTY 5 years on LED driver

CODIFICATION EXAMPLE



ORDERING CODES

MODEL	SERIES	DIMMING / PERFORMANCE
REA	3	
REA Boîtier rénovateur Ardito	3 3-1/2" Series	<p>V1 14W (1,300 lumens) 120V/277V 0-10V ELV (120V only)</p> <p>V2 23W (1,900 lumens) 120V/277V 0-10V ELV (120V only)</p> <p>VL 12.5W (700 lumens) 120V/277V To be used with "WD" or "CT" light engines</p> <p>WD: Warm Dimming CT: Color Tuning</p> <p>→ For more details, see page 1 (Driver (options))</p>

REA3V

3-1/2" Series - Ardito


Remodel Housing



MUD-IN-PLATE OPTION

Required with the use of a flangeless trim (see installation instructions for more details)

ROUND

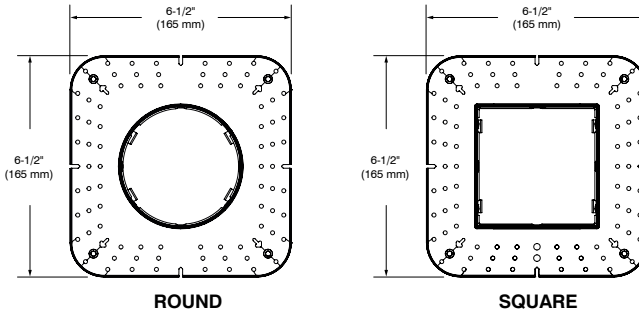
 \varnothing 3-3/4" (95 mm)

Code: MIPA3R

SQUARE

 3-3/4" (95 mm) x 3-3/4" (95 mm)

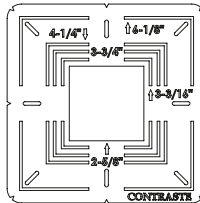
Code: MIPA3S



REUSABLE TEMPLATE OPTION

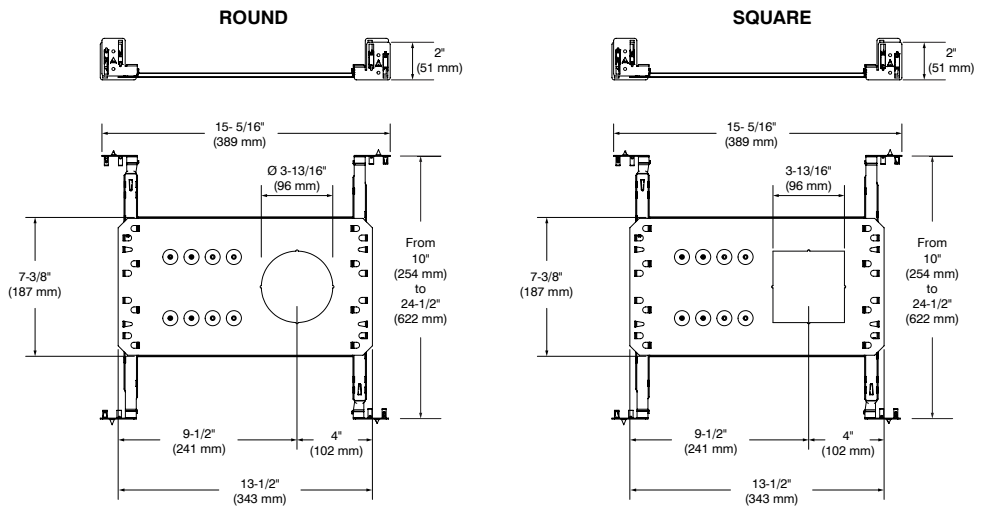
Reusable steel cutout template for square trim

Code: TEMP-SQ



MOUNTING PLATE OPTION

Code: PA3R^{NW} (round)
PA3S^{NW} (square)



CONTRASTE

1009, rue du Parc Industriel
Lévis (Québec) G6Z 1C5 Canada
Tel.: 1-888-839-4624
Fax.: 1-877-839-7057
contrastlighting.com
info@contrastlighting.com

© 2017 Contrast Lighting M.L. Inc.
All rights reserved

Contrast Lighting M.L. Inc. reserves the right to make changes in specifications and/or to discontinue any product at any time without notice or obligation and will not be liable for any consequences resulting from the use of this publication.