

PROG40

4" Profilux Series

Complete Unit: LED Round Adjustable Trim including the Junction Box and Driver

Project _____

Notes _____

Fixture Type _____

Date _____



PROG40-22xx (illustrated)

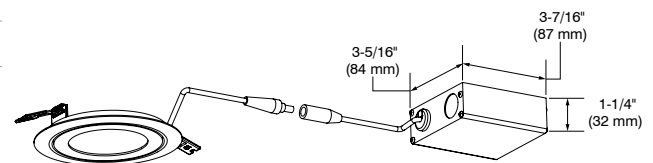
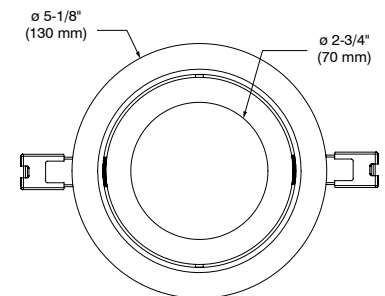
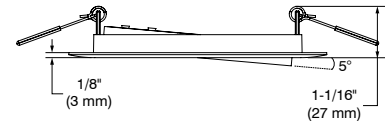
Recessed ultra-thin LED trim for insulated ceiling and suitable for damp locations. The thin profile with spring clips allows for quick and easy installation. Ideal for confined spaces.

SPECIFICATIONS

COLOR TEMPERATURES	3,000K and 4,000K
CRI	80+
LED MODULE	Epistar 2835 - Meets ANSI CCT binning requirements
VOLTAGE	120 VAC
POWER	9 Watts
POWER FACTOR	>85%
LUMEN OUTPUT	Up to 650 lumens, 72 lm/W
LIFESPAN	L70 @ 50,000 hours
TRIM	Thin profile 1-1/16" (27 mm) Matte White (-11), Brushed Nickel (-12BR) or Matte Black (-22) finishes available.
BEAM	Very Wide Flood → 110°
WIRE TYPE	FT4

MOUNTING

The space required beyond ceiling material is 1-1/2" (38 mm). The maximal thickness of the ceiling is 1" (25 mm). Beyond this thickness, springs will apply less pressure between the trim and the ceiling. The base of the trim will thus have some difficulty to fit perfectly with the ceiling.

**JUNCTION BOX**

CONTRASTE

1009, rue du Parc Industriel
Lévis (Québec) G6Z 1C5 Canada
Tel.: 1-888-839-4624
Fax.: 1-877-839-7057
contrastlighting.com
info@contrastlighting.com

© 2017 Contrast Lighting M.L. Inc.
All rights reserved

Contrast Lighting M.L. Inc. reserves the right to make changes in specifications and/or to discontinue any product at any time without notice or obligation and will not be liable for any consequences resulting from the use of this publication.

SPECIFICATION SHEET

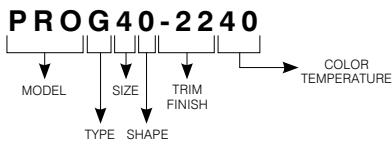
PROG40

4" Profilux Series**Complete Unit: LED Round Adjustable Trim including the Junction Box and Driver**

SPECIFICATIONS (CON'T)

CEILING CUTOUT	ø 4-1/4" (108 mm) MIN ø 4-1/4" (108 mm) / MAX ø 5" (127 mm)
JUNCTION BOX	Junction box with independent auxiliary connection including driver.
DIMMING	Compatible with Electronic Low Voltage (ELV) and Incandescent (TRIAC) dimmers. We invite you to consult frequently our Web site to find our suggested compatible dimmers list: www.contrastlighting.com
OPTIONS	<ul style="list-style-type: none"> • 6' (2 m) and 20' (6 m) cable (see ordering code) • Mounting Plate (see ordering code) • Goof Rings (see ordering code)
CERTIFICATION	Certified ETL for damp locations
WARRANTY	5-year warranty

CODIFICATION EXAMPLE



ORDERING CODE

MODEL	TYPE	SIZE	SHAPE	TRIM FINISHES	COLOR TEMPERATURES
PRO	G	4	0		
PRO Profilux	G Adjustable	4 4 inches	0 Round	-11 Matte White -12BR Brushed Nickel -22 Matte Black	30 3,000K 40 4,000K

CONTRASTE

1009, rue du Parc Industriel
Lévis (Québec) G6Z 1C5 Canada
Tel.: 1-888-839-4624
Fax.: 1-877-839-7057
contrastlighting.com
info@contrastlighting.com

© 2017 Contrast Lighting M.L. Inc.
All rights reserved

Contrast Lighting M.L. Inc. reserves the right to make changes in specifications and/or to discontinue any product at any time without notice or obligation and will not be liable for any consequences resulting from the use of this publication.

PROG40

4" Profilux Series

Complete Unit: LED Round Adjustable Trim including the Junction Box and Driver

Project _____

Notes _____

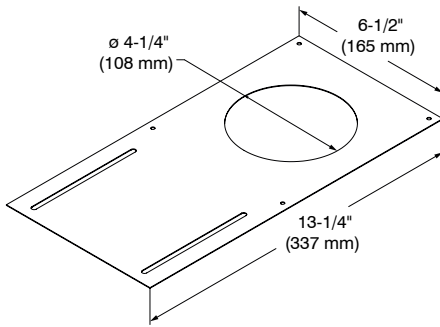
Fixture Type _____

Date _____

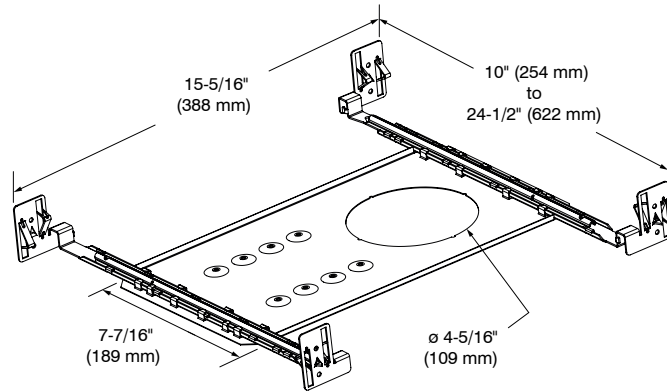


MOUNTING PLATE OPTION

Code: P4RN (without bars)
P4RNV (with bars)



P4RN



P4RNV

GOOF RINGS OPTION

Code: RR4-11 (Matte White)
RR4-12BR (Brushed Nickel)
RR4-22 (Matte Black)

Outside diameter: \varnothing 6-1/8" (156 mm)
Inside diameter: \varnothing 4-1/4" (108 mm)

CABLE OPTION

Code: PRO-CBL6 (6' (2 m))
PRO-CBL20 (20' (6 m))

CONTRASTE

1009, rue du Parc Industriel
Lévis (Québec) G6Z 1C5 Canada
Tel.: 1-888-839-4624
Fax.: 1-877-839-7057
contrastlighting.com
info@contrastlighting.com

© 2017 Contrast Lighting M.L. Inc.
All rights reserved

Contrast Lighting M.L. Inc. reserves the right to make changes in specifications and/or to discontinue any product at any time without notice or obligation and will not be liable for any consequences resulting from the use of this publication.