

# PROC41

## 4" Profilux Series

### Complete Unit: LED Square Indirect Lighting Trim including the Junction Box and Driver

Project \_\_\_\_\_

Notes \_\_\_\_\_

Fixture Type \_\_\_\_\_

Date \_\_\_\_\_



PROC41-11xx (illustrated)

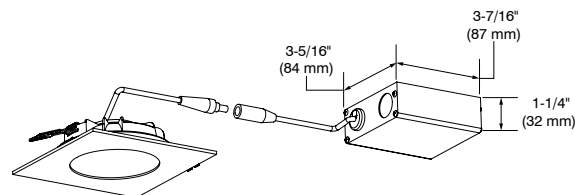
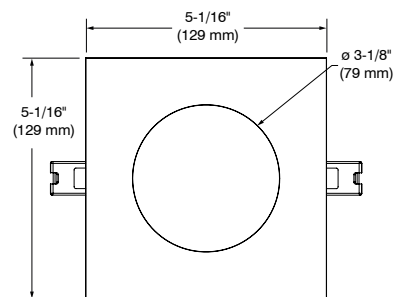
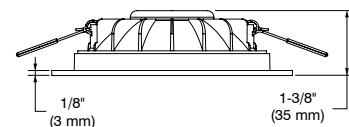
Recessed ultra-thin LED trim for insulated ceiling and suitable for dry locations. The thin profile with spring clips allows for quick and easy installation. Ideal for confined spaces.

## SPECIFICATIONS

COLOR TEMPERATURES	3,000K and 4,000K
CRI	80+
LED MODULE	Epistar 2835 - Meets ANSI CCT binning requirements
VOLTAGE	120 VAC
POWER	9 Watts
POWER FACTOR	>85%
LUMEN OUTPUT	Up to 550 lumens, 61 lm/W
LIFESPAN	L70 @ 50,000 hours
TRIM	Thin profile 1-3/8" (35 mm) Matte White <b>(-11)</b> or Brushed Nickel <b>(-12BR)</b> finishes available.
BEAM	Very Wide Flood → 150°
WIRE TYPE	FT4

## MOUNTING

The space required beyond ceiling material is 1-1/2" (38 mm). The maximal thickness of the ceiling is 1" (25 mm). Beyond this thickness, springs will apply less pressure between the trim and the ceiling. The base of the trim will thus have some difficulty to fit perfectly with the ceiling.



JUNCTION BOX

# CONTRASTE

1009, rue du Parc Industriel  
Lévis (Québec) G6Z 1C5 Canada  
Tel.: 1-888-839-4624  
Fax.: 1-877-839-7057  
contrastlighting.com  
info@contrastlighting.com

© 2017 Contrast Lighting M.L. Inc.  
All rights reserved

Contrast Lighting M.L. Inc. reserves the right to make changes in specifications and/or to discontinue any product at any time without notice or obligation and will not be liable for any consequences resulting from the use of this publication.

# PROC41

4" Profilux Series

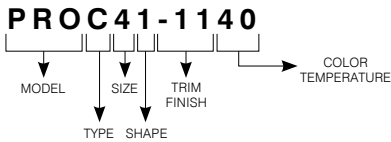
**Complete Unit: LED Square Indirect Lighting Trim including the Junction Box and Driver**



SPECIFICATIONS (CON'T)

CEILING CUTOUT	<b>ø 4-1/4" (108 mm)</b> MIN ø 4-1/8" (105 mm) / MAX ø 5" (127 mm)
JUNCTION BOX	Junction box with independent auxiliary connection including driver.
DIMMING	Compatible with Electronic Low Voltage (ELV) and Incandescent (TRIAC) dimmers. We invite you to consult frequently our Web site to find our suggested compatible dimmers list: <a href="http://www.contrastlighting.com">www.contrastlighting.com</a>
OPTIONS	<ul style="list-style-type: none"> <li>• 6' (2 m) and 20' (6 m) cable (see ordering code)</li> <li>• Mounting Plate (see ordering code)</li> <li>• Goof Rings (see ordering code)</li> </ul>
CERTIFICATION	Certified ETL for dry locations
WARRANTY	5-year warranty

CODIFICATION EXAMPLE



ORDERING CODE

MODEL	TYPE	SIZE	SHAPE	TRIM FINISHES	COLOR TEMPERATURES
<b>PRO</b>	<b>C</b>	<b>4</b>	<b>1</b>		
<b>PRO</b> Profilux	<b>C</b> Indirect Lighting	<b>4</b> 4 inches	<b>1</b> Square	<b>-11</b> Matte White <b>-12BR</b> Brushed Nickel	<b>30</b> 3,000K <b>40</b> 4,000K

# PROC41

4" Profilux Series

**Complete Unit: LED Square Indirect Lighting Trim including the Junction Box and Driver**

Project \_\_\_\_\_

Notes \_\_\_\_\_

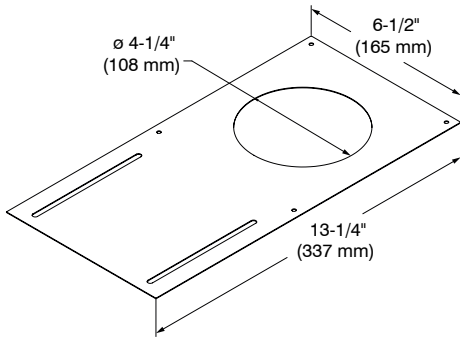
Fixture Type \_\_\_\_\_

Date \_\_\_\_\_

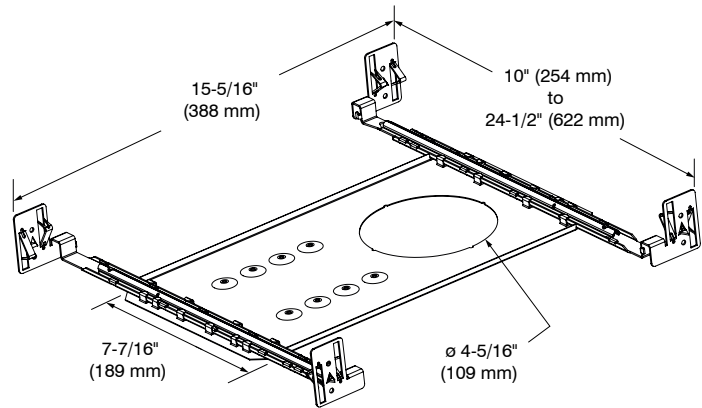


## MOUNTING PLATE OPTION

**Code:** P4RN (without bars)  
P4RNV (with bars)



**P4RN**



**P4RNV**

## GOOF RINGS OPTION

**Code:** RS4-11 (Matte White)  
RS4-12BR (Brushed Nickel)

Outside dimension: 5-1/2" (140 mm) x 5-1/2" (140 mm)  
Inside diameter:  $\varnothing$  4-1/4" (108 mm)

## CABLE OPTION

**Code:** PRO-CBL6 (6' (2 m))  
PRO-CBL20 (20' (6 m))

# CONTRASTE

1009, rue du Parc Industriel  
Lévis (Québec) G6Z 1C5 Canada  
Tel.: 1-888-839-4624  
Fax.: 1-877-839-7057  
contrastlighting.com  
info@contrastlighting.com

© 2017 Contrast Lighting M.L. Inc.  
All rights reserved

Contrast Lighting M.L. Inc. reserves the right to make changes in specifications and/or to discontinue any product at any time without notice or obligation and will not be liable for any consequences resulting from the use of this publication.