

NWUR3-EM

3-1/2" URBAĪ Series

“Non-IC”, Air Tight New Construction Housing with Emergency lighting

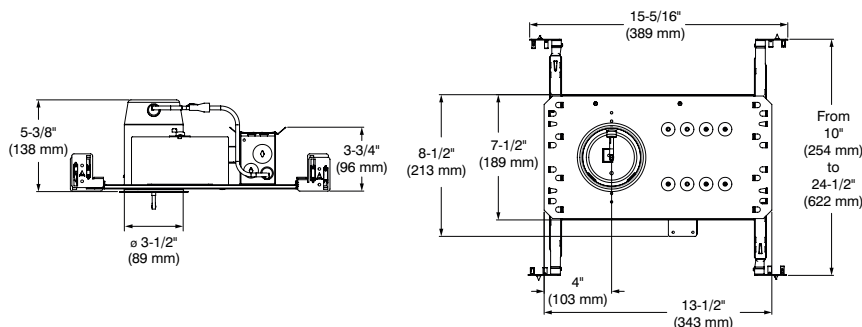
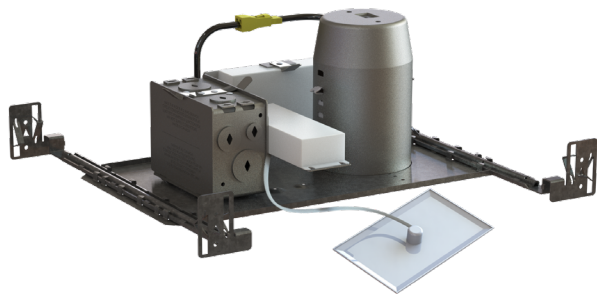


Project _____

Notes _____

Fixture Type _____

Date _____



SPECIFICATIONS

HOUSING DETAILS

Up to 0,051" (1,3 mm) thick galvanized steel housing.
26-1/2 in³ junction box.
Below-ceiling accessible.

MOUNTING

Cutout diameter:
ø 3-5/8" (92 mm)
Can fit ceilings up to 2" (51 mm) thick.
Requires a 6" (152 mm) clearance beyond the ceiling level.
Snap-in hooks for ease of installation and a perfect fit to ceiling.
Mounting bars extend from 10" (254 mm) to 24-1/2" (622 mm) to fit in most ceilings.
No light leakage.

PERFORMANCE

1: 10W Non-IC
up to 1,018 lm

2: 15W Non-IC
up to 1,326 lm

Warm Dimming (WD)
up to 650 lm

VOLTAGE

120 Volts
277 Volts
120 / 277 Volts (universal)

DIMMING

ELV: 120V only
0-10V: Sourcing driver (Sinking Control)
120V or 277V

We invite you to consult frequently our Website to find our suggested compatible dimmers list:
www.contrastlighting.com

BATTERY

Test button with 24" wire and decorative plate.
Runtime: 120 minutes minimum
Battery lifespan: 5 years

COMPATIBLE TRIMS

UR3A, UR3B, UR3C, UR3D,
UR3E, UR3F, UR3G, UR3H, UR3J.

CERTIFICATION

- cULus **E343977** for damp locations; wet with shower trim only.
- Air Tight tested in accordance with ASTM E283

WARRANTY

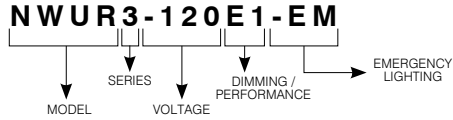
1 year on components against manufacturing defects.
5 years on LED arrays and drivers.

NWUR3-EM

3-1/2" URBAĪ Series
"Non-IC", Air Tight New Construction Housing
with Emergency lighting



CODIFICATION EXAMPLE FOR 120V

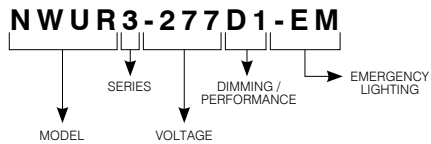


ORDERING CODES for 120V

MODEL	SERIES	VOLTAGE	DIMMING / PERFORMANCE	EMERGENCY LIGHTING
NWUR	3	-120		-EM
NWUR New Construction	3 3-1/2" Series	-120 120V	E1 ELV / 10W E2 ELV / 15W EB2 ELV (+Value) / 15W D1 0-10V / 10W D2 0-10V / 15W	-EM Emergency Lighting

Contraste suggests ordering **EB2 (ELV (+Value)/15W)** or **D2 (0-10V/15W)** dimming type and performance to use with Warm Dimming

CODIFICATION EXAMPLE FOR 277V



ORDERING CODES for 277V

MODEL	SERIES	VOLTAGE	DIMMING / PERFORMANCE	EMERGENCY LIGHTING
NWUR	3	-277		-EM
NWUR New Construction	3 3-1/2" Series	-277 277V	D1 0-10V / 10W D2 0-10V / 15W 2 Non-Dimmable / 15W	-EM Emergency Lighting

Contraste suggests ordering **D2 (0-10V/15W)** dimming type and performance to use with Warm Dimming

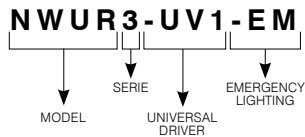
NWUR3-EM

3-1/2" URBAĪ Series

"Non-IC", Air Tight New Construction Housing with Emergency lighting



UNIVERSAL HOUSING CODIFICATION EXAMPLE



ORDERING CODES for Universal Housing

MODEL	SERIE	UNIVERSAL DRIVER	EMERGENCY LIGHTING
NWUR	3		-EM
NWUR New Construction	3 3-1/2" Series	-UV1 Performance 1 ELV (120V) 10W 0-10V (120V) 10W 0-10V (277V) 10W	-EM Emergency Lighting
		-UV2 Performance 2 ELV (120V) 15W 0-10V (120V) 15W 0-10V (277V) 15W	

Contraste suggests ordering
UV2 (ELV/0-10V/15W)
dimming type and performance
to use with Warm Dimming

GOOF RINGS

Goof rings will help you fix larger than necessary or damaged ceiling cutouts.

For round trims.

Code: RR3-01 (White)
RR3-03SA (Satin Gold)
RR3-04BR (Brushed Chrome)
RR3-11 (Matte White)
RR3-12BR (Brushed Nickel)
RR3-13 (Satin Nickel)
RR3-22 (Matte Black)
RR3-25 (Polar Grey)

Outside diameter: \varnothing 6-1/8" (156 mm)
 Inside diameter: \varnothing 3-11/16" (94 mm)

For square trims.

Code: RS3-01 (White)
RS3-03SA (Satin Gold)
RS3-04BR (Brushed Chrome)
RS3-11 (Matte White)
RS3-12BR (Brushed Nickel)
RS3-13 (Satin Nickel)
RS3-22 (Matte Black)
RS3-25 (Polar Grey)

Outside dimensions: 5" (127 mm) x 5" (127 mm)
 Inside diameter: \varnothing 3-11/16" (94 mm)

OPENING ADAPTOR

For round trims only.

Can lip adaptor for 3-1/2" (89 mm) pot in a 4-1/4" (108 mm) opening.

Finish: Galvanized steel

Code: 312296

Outside diameter: \varnothing 4-5/16" (110 mm)
 Inside diameter: \varnothing 3-5/8" (92 mm)

CONTRASTE

1009, rue du Parc Industriel
 Lévis (Québec) G6Z 1C5 Canada
 Tel.: 1-888-839-4624
 Fax.: 1-877-839-7057
 contrastlighting.com
 info@contrastlighting.com

© 2017 Contrast Lighting M.L. Inc.
 All rights reserved

Contrast Lighting M.L. Inc. reserves the right to make changes in specifications and/or to discontinue any product at any time without notice or obligation and will not be liable for any consequences resulting from the use of this publication.