

NWMA2PAR30

Multi-Aim Recessed Lighting

Multi-Aim unit for 2 PAR30 projectors

Project: _____

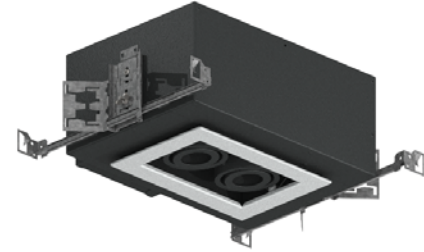
Notes: _____

Fixture type: _____

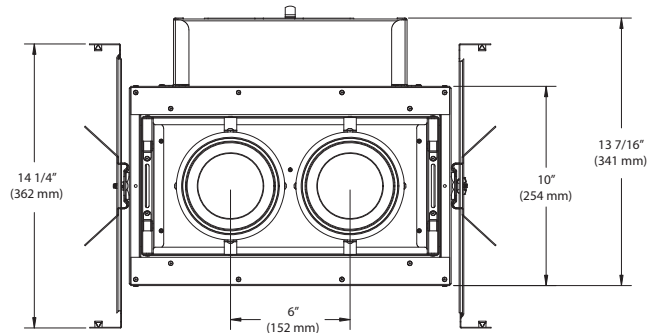
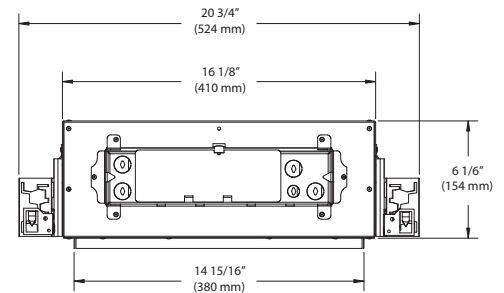
Date: _____

SPECIFICATIONS

| | | |
|------------------------|--|---|
| Housing Details | Painted, galvanized steel outer housing includes universal mounting brackets with mounting bars for fixed or suspended ceilings. | |
| | For new construction in non-insulated ceiling. Below-ceiling accessible. Perfect fit into ceiling. No light leakage. Each part of the housing should be at 3" (76 mm) MINIMUM from insulation (if applicable). Junction box can be removed entirely for easy maintenance. | |
| Mounting | Butterfly brackets accept: | |
| | <ul style="list-style-type: none"> - Included mounting bars extend from 14 1/4" (362 mm) to 26" (660 mm). Requires a minimum spacing of 18" between joists. - 1/2" EMT (Supplied by customer) - C-Channel (Supplied by customer) | |
| Power | 120V | |
| Dimming | Dimmable with Triac and most dimming technics. | |
| Projectors | Lockable 30° Double gimbal | |
| | Compatible lamps: PAR30 75W max. | |
| Ceiling Details | Cutout 15 1/16" x 7 1/8" (383 mm x 181 mm) | Ceiling Thickness 1/2" to 1 1/2" (13 mm to 38 mm) |
| Warranty | Socket(s) – 5 years | |
| cULus | cULus Listed Suitable for dry to damp locations | |



NWMA2PAR30-22 with MAR2-PAR30-11-22



NWMA2PAR30

Multi-Aim Recessed Lighting

Multi-Aim unit for 2 PAR30 projectors

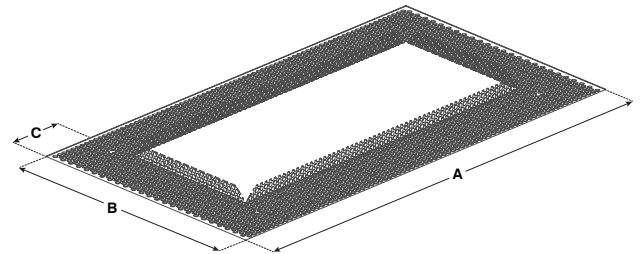
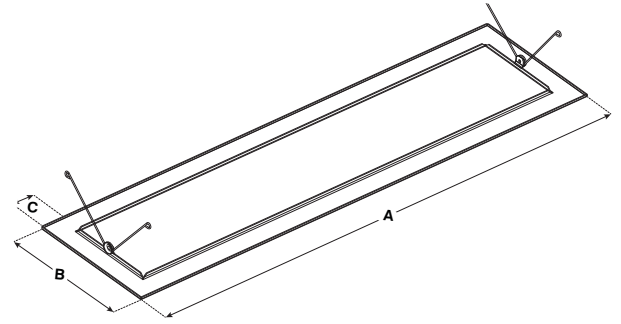
TRIM

| Trim | Length A | Width B | Flange Width C |
|------------------|-----------------|--------------------|-------------------|
| MAR2-PAR30-XX-XX | 16" (406 mm) | 8 1/2" (216 mm) | 1 1/4" (32 mm) |

OR

TRIMLESS INSTALLATION

| Mesh Plate | Length A | Width B | Flange Width C |
|---------------|---------------------|----------------------|-------------------|
| MAR2-PAR30-SF | 20 1/8" (512 mm) | 12 3/16" (310 mm) | 2 1/2" (64 mm) |



HOUSING ORDERING CODE

EXAMPLE NWMA2PAR30-22

A complete fixture consists of a housing and a trim or a housing and a mesh plate.

| NW | MA | 2 | PAR30 | |
|--------------------------|-----------|--------------|-------|---|
| New Construction Housing | Multi-Aim | 2 Projectors | PAR30 | Housing Color -11 Matte White -22 Matte Black |

AND

TRIM ORDERING CODE

EXAMPLE MAR2-PAR30-11-22

| MAR | 2 | -PAR30 | | |
|-----------|--------------|------------------|---|---|
| Multi-Aim | 2 Projectors | Source -PAR30 | Trim Color -11 Matte White -15 Metallic Grey -22 Matte Black | Housing Color -11 Matte White -22 Matte Black |

OR

MESH PLATE ORDERING CODE

EXAMPLE MAR2-PAR30-SF

| MAR | 2 | -PAR30 | -SF |
|-----------|--------------|------------------|-----------------|
| Multi-Aim | 2 Projectors | Source -PAR30 | Trimless -SF |

