

NWLD300

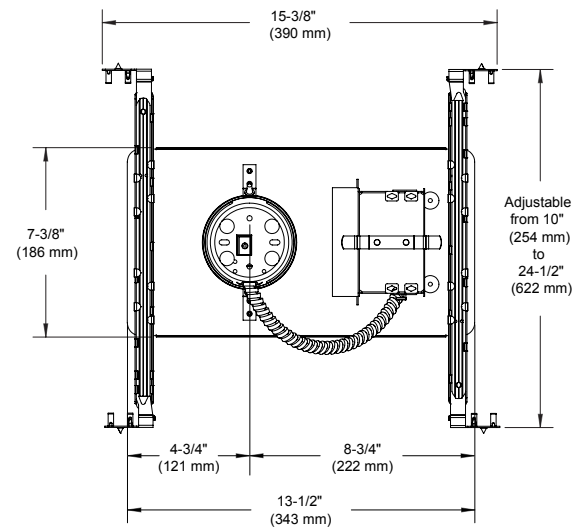
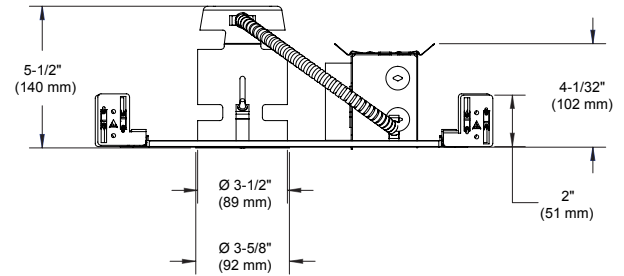
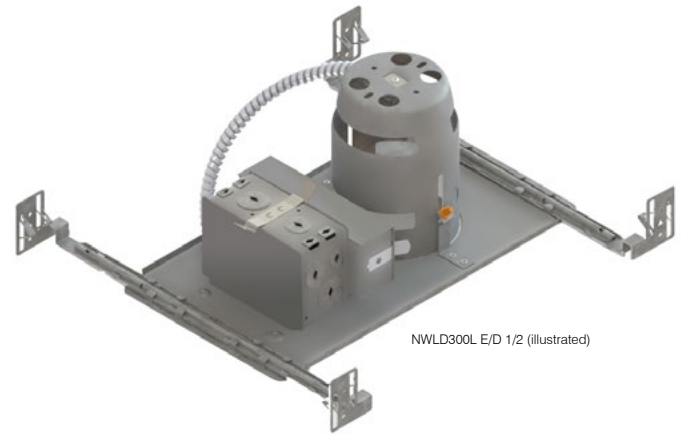
3-1/2" Series - Concerto LED

New Construction Housing

SPECIFICATIONS

| HOUSING DETAILS | Galvanized steel housing with a thickness up to 18 gauge (0,051" / 1,3 mm). Junction box can support up to 10 - 14 gauge wires or 8 - 12 gauge wires (90° wires). Below-ceiling accessible. | | | | | | | | | | | | | | | | | | | | | | | | | | |
|----------------------|--|----------------------|----------------------|------|------|------|------|------|------|------|------|------|------|------|------|------|------|------|------|------|------|--|--|----------------------|------|------|------|
| MOUNTING | Cutout diameter: Ø 3-5/8" (92 mm) Insulated material must be kept at least 3" (76 mm) away from the fixture. Can fit in ceilings up to 1-1/2" (38 mm) thick. Contrast hooks for ease of installation and a perfect fit to ceiling. No light leakage. Mounting bars extend from 10" (254 mm) to 24-1/2" (622 mm) to fit in most ceiling structures. | | | | | | | | | | | | | | | | | | | | | | | | | | |
| PERFORMANCE | Performance 1: 1,500 lumens (16W) Performance 2: 2,000 lumens (23W) Performance 3: 2,500 lumens (30W) | | | | | | | | | | | | | | | | | | | | | | | | | | |
| POWER | ELV: 120V only 0-10V and PWM: Dual Voltage - 120V / 277V | | | | | | | | | | | | | | | | | | | | | | | | | | |
| DIMMING | 3 types of dimming offered: <ul style="list-style-type: none"> • Electronic Low Voltage (ELV) • 0-10V • Lutron Hi-Lume A-Series LED Driver with Eco System Control / 3-wire (PWM) <p>Due to constant evolution of dimmers we must test them regularly. We invite you to consult frequently our Web site to find our dimmer compatibility list: www.contrastlighting.com</p> | | | | | | | | | | | | | | | | | | | | | | | | | | |
| COMPATIBLE TRIMS | NWLD300 E/D/A 1/2 <table border="1"> <thead> <tr> <th>Performance 1 16W</th> <th>Performance 2 23W</th> </tr> </thead> <tbody> <tr><td>LD3A</td><td>LD3A</td></tr> <tr><td>LD3B</td><td>LD3B</td></tr> <tr><td>LD3C</td><td>LD3C</td></tr> <tr><td>LD3D</td><td>LD3D</td></tr> <tr><td>LD3E</td><td>LD3E</td></tr> <tr><td>LD3F</td><td>LD3F</td></tr> <tr><td>LD3G</td><td>LD3G</td></tr> <tr><td>LD3H</td><td>LD3H</td></tr> <tr><td>LD3I</td><td>LD3I</td></tr> </tbody> </table> | Performance 1 16W | Performance 2 23W | LD3A | LD3A | LD3B | LD3B | LD3C | LD3C | LD3D | LD3D | LD3E | LD3E | LD3F | LD3F | LD3G | LD3G | LD3H | LD3H | LD3I | LD3I | NWLD300 D/A 3 <table border="1"> <thead> <tr> <th>Performance 3 30W</th> </tr> </thead> <tbody> <tr><td>LD3D</td></tr> <tr><td>LD3E</td></tr> <tr><td>LD3F</td></tr> </tbody> </table> | | Performance 3 30W | LD3D | LD3E | LD3F |
| Performance 1 16W | Performance 2 23W | | | | | | | | | | | | | | | | | | | | | | | | | | |
| LD3A | LD3A | | | | | | | | | | | | | | | | | | | | | | | | | | |
| LD3B | LD3B | | | | | | | | | | | | | | | | | | | | | | | | | | |
| LD3C | LD3C | | | | | | | | | | | | | | | | | | | | | | | | | | |
| LD3D | LD3D | | | | | | | | | | | | | | | | | | | | | | | | | | |
| LD3E | LD3E | | | | | | | | | | | | | | | | | | | | | | | | | | |
| LD3F | LD3F | | | | | | | | | | | | | | | | | | | | | | | | | | |
| LD3G | LD3G | | | | | | | | | | | | | | | | | | | | | | | | | | |
| LD3H | LD3H | | | | | | | | | | | | | | | | | | | | | | | | | | |
| LD3I | LD3I | | | | | | | | | | | | | | | | | | | | | | | | | | |
| Performance 3 30W | | | | | | | | | | | | | | | | | | | | | | | | | | | |
| LD3D | | | | | | | | | | | | | | | | | | | | | | | | | | | |
| LD3E | | | | | | | | | | | | | | | | | | | | | | | | | | | |
| LD3F | | | | | | | | | | | | | | | | | | | | | | | | | | | |
| THERMAL PROTECTION | Performance 1: TC 149°F (65°C) Performance 2: TC 176°F (80°C) Performance 3: TC 176°F (80°C) | | | | | | | | | | | | | | | | | | | | | | | | | | |
| CERTIFICATION | • cULus E343977 for damp and wet locations | | | | | | | | | | | | | | | | | | | | | | | | | | |
| WARRANTY | 5 years on LED driver. | | | | | | | | | | | | | | | | | | | | | | | | | | |

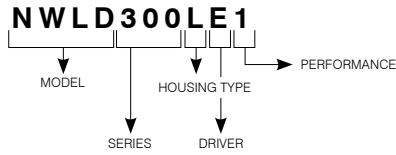
| | |
|--------------|-------|
| Project | _____ |
| Notes | _____ |
| Fixture Type | _____ |
| Date | _____ |



NWLD300

3-1/2" Series - Concerto LED

CODIFICATION EXAMPLE



ORDERING CODE

| MODEL | SERIES | HOUSING TYPE | DRIVER | PERFORMANCE |
|--------------------------------------|-----------------------|---------------|---|---|
| NWLD | 300 | L | | |
| NWLD New Construction Housing | 300 300 Series | L Long | E* ELV - 120V Only D 0-10V - Dual Voltage (120V / 277V) A Lutron Hi-Lume A-Series Eco System / 3-wire (PWM) Dual Voltage (120V / 277V) | 1 1,500 lumens 2 2,000 lumens 3 2,500 lumens |

(*E not available in the performance 3)

**** Performance 1 and 2 housings are compatible with performance 2 trims.
Performance 3 housings are only compatible with performance 3 trims.**

