

SPECIFICATION SHEET

NWA4R-EM - NWA4S-EM

4" Series - Ardito

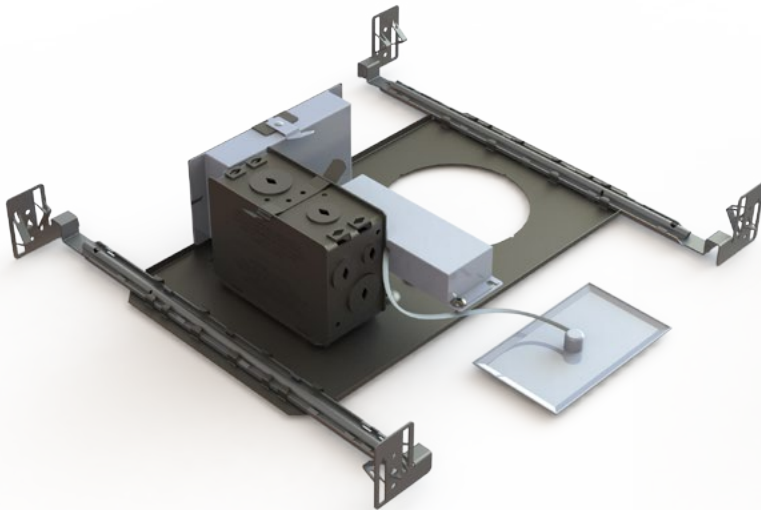
“Non-IC”, New Construction Housing with Emergency lighting

Project _____

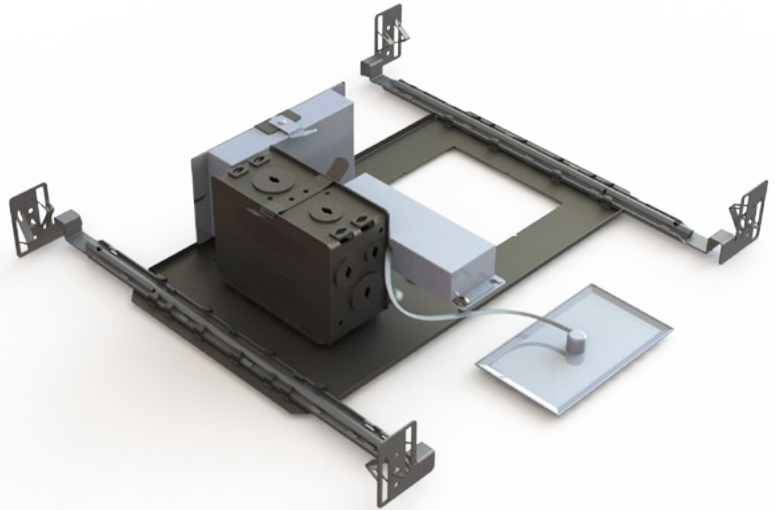
Notes _____

Fixture type _____

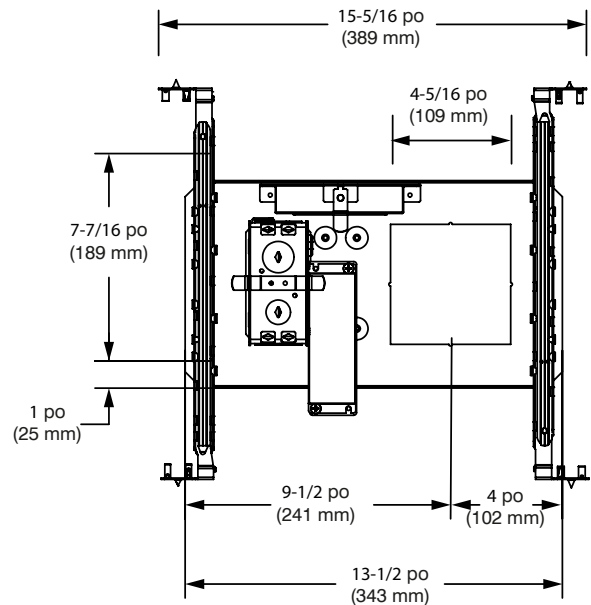
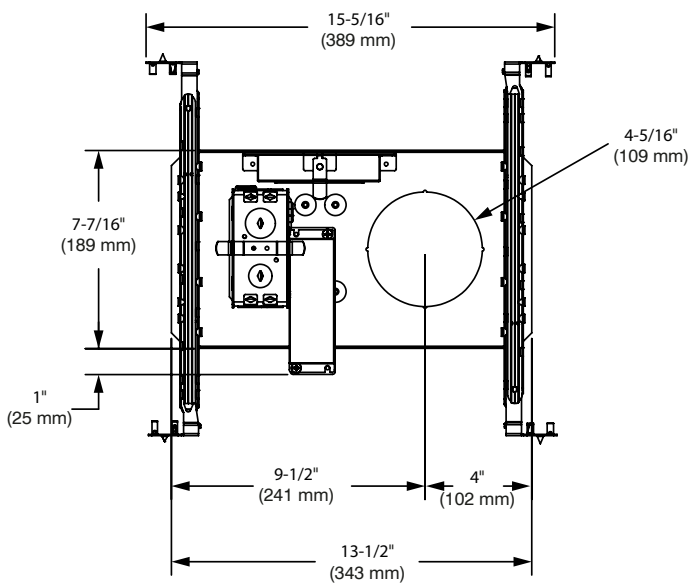
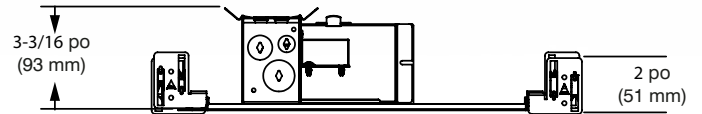
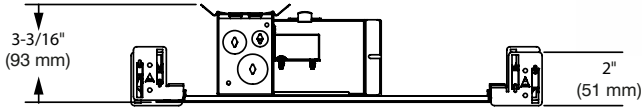
Date _____



NWA4R-EM (illustrated)



NWA4S-EM (illustrated)



CONTRASTE

1009, rue du Parc Industriel
Lévis (Québec) G6Z 1C5 Canada
Tel.: 1-888-839-4624
Fax.: 1-877-839-7057
contrastlighting.com
info@contrastlighting.com

© 2017 Contrast Lighting M.L. Inc.
All rights reserved

Contrast Lighting M.L. Inc. reserves the right to make changes in specifications and/or to discontinue any product at any time without notice or obligation and will not be liable for any consequences resulting from the use of this publication.

SPECIFICATION SHEET

NWA4R-EM - NWA4S-EM

4" Series - Ardito

**“Non-IC”, New Construction Housing
with Emergency lighting**

SPECIFICATIONS

EMERGENCY LIGHTING	Runtime: 120 minutes minimum Maximum height installation: 40' Test button and mounting plate: included Battery lifespan: 5 years			
HOUSING DETAILS	Galvanized steel housing. Junction box can support up to 10 - 14 gauge wires or 8 - 12 gauge wires (90° wires). Below-ceiling accessible.			
MOUNTING	Round Cutout diameter: Ø 4-1/4" (108 mm) Square Cutout diameter: 4-1/4" (108 mm) x 4-1/4" (108 mm) The ceiling level is determined by the choice of trims. Insulation material must be kept at least 3" (76 mm) away from the fixture. Can fit in ceilings up to 1-1/2" (38 mm) thick. Mounting bars extend from 10" (254 mm) to 24-1/2" (622 mm) to fit in most ceiling structures. Emergency new construction housing is not available with Lumenetix option.			
POWER	Performance 1: Up to 1,300 lumens (14W) Performance 2: Up to 1,900 lumens (23W)			
VOLTAGE	120V - 277V			
DIMMING	2 types of dimming offered: <ul style="list-style-type: none"> • Electronic Low Voltage (ELV) (120V only) • 0-10V (120V only) Due to constant evolution of dimmers we must test them regularly. We invite you to consult frequently our Web site to find our dimmer compatibility list: www.contrastlighting.com			
COMPATIBLE TRIMS	NWA4R-EM (round aperture)		NWA4S-EM (square aperture)	
	Performance 1 14W	Performance 2 23W	Performance 1 14W	Performance 2 23W
	A4RFR	A4RFR	A4SFR	A4SFR
	A4RAF	A4RAF	A4SAR	A4SAR
	A4RAR	A4RAR	A4SWW	A4SWW
	A4RWW	A4RWW	A4SSF	A4SSF
	A4RSF	A4RSF		
CERTIFICATION	cULus E343977 for damp and wet locations			
WARRANTY	5 years on LED driver.			

CONTRASTE

1009, rue du Parc Industriel
Lévis (Québec) G6Z 1C5 Canada
Tel.: 1-888-839-4624
Fax.: 1-877-839-7057
contrastlighting.com
info@contrastlighting.com

© 2017 Contrast Lighting M.L. Inc.
All rights reserved

Contrast Lighting M.L. Inc. reserves the right to make changes in specifications and/or to discontinue any product at any time without notice or obligation and will not be liable for any consequences resulting from the use of this publication.

SPECIFICATION SHEET

NWA4R-EM - NWA4S-EM

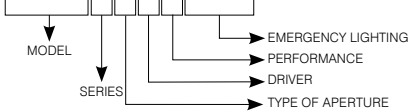
4" Series - Ardito

“Non-IC”, New Construction Housing with Emergency lighting



CODIFICATION EXAMPLE

NWA4SV1-EM

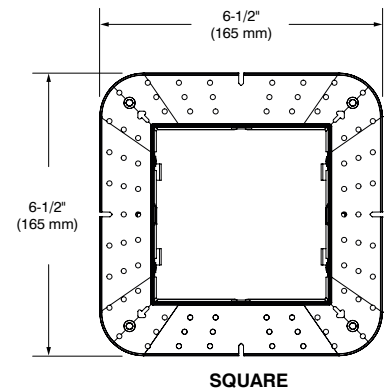
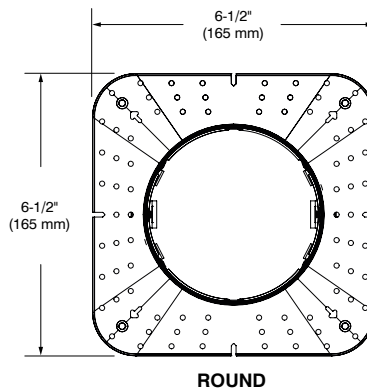


ORDERING CODE

MODEL	SERIES	TYPE OF APERTURE	DRIVER	PERFORMANCE	EMERGENCY LIGHTING
NWA	4		V		-EM
NWA Ardito New Construction Housing	4 4" Series	R Round S Square	V ELV / 0-10V	1 1,300 lumens 2 1,900 lumens	-EM Emergency Lighting

MUD-IN-PLATE OPTION

Code: MIPA4R (round)
MIPA4S (square)



CONTRASTE