

# NWA2R - NWA2S

2-1/2" Series - Ardito

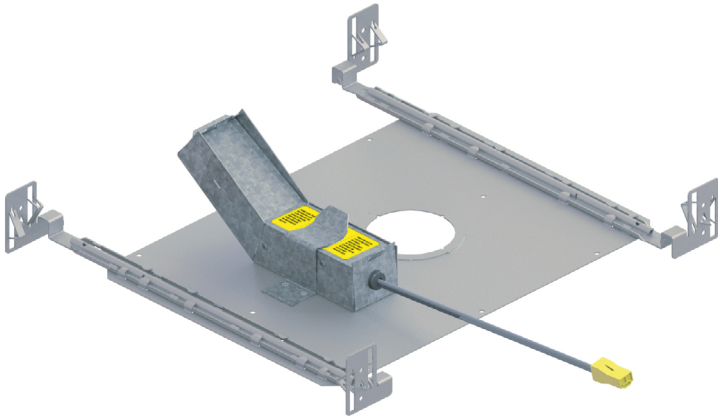
New Construction Housing

Project \_\_\_\_\_

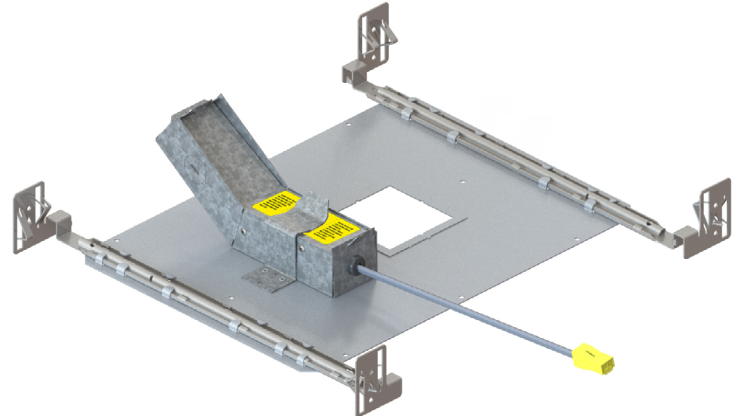
Notes \_\_\_\_\_

Fixture type \_\_\_\_\_

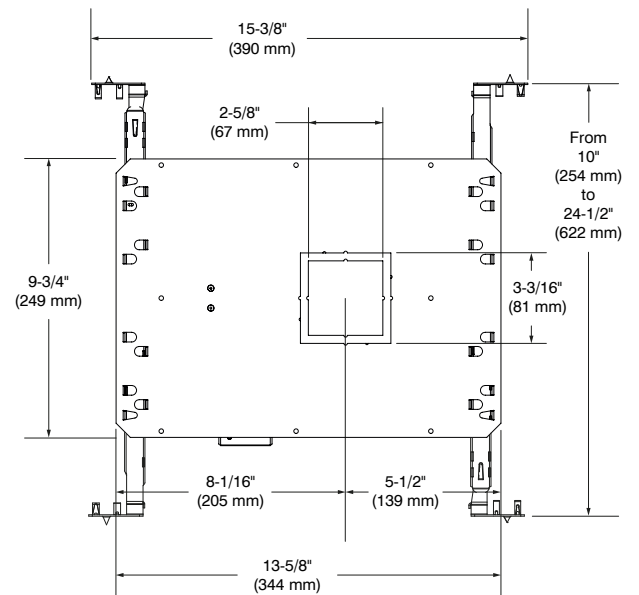
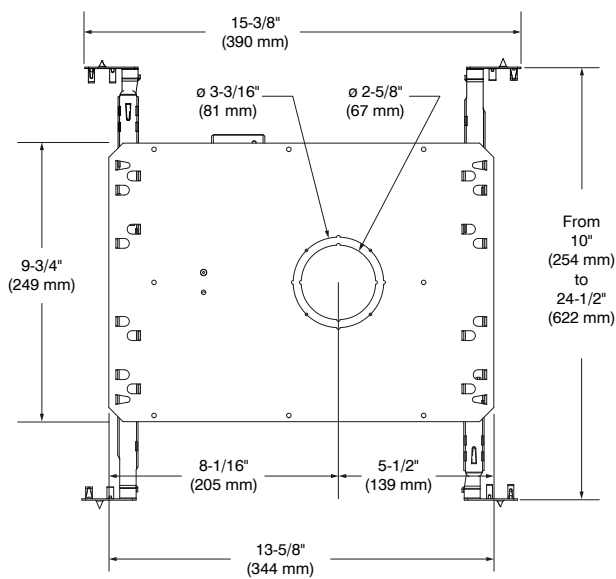
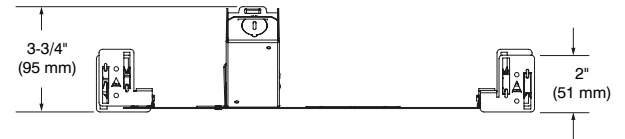
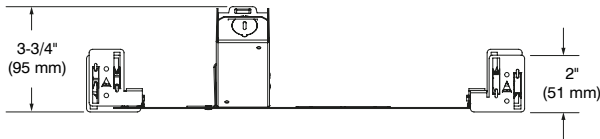
Date \_\_\_\_\_



NWA2R (illustrated)



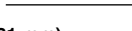

NWA2S (illustrated)



# NWA2R - NWA2S

**2-1/2" Series - Ardito****New Construction Housing**

## SPECIFICATIONS

HOUSING DETAILS	Galvanized steel housing. Junction box fixed on a mounting plate by a blade spring. Can support up to 10 - 14 gauge wires or 8 - 12 gauge wires (90° wires). Below-ceiling accessible.
MOUNTING AND SUPPORT	<p><b>Flanged Trim Round Cutout diameter: <math>\varnothing</math> 2-5/8" (67 mm)</b>  <b>Flanged Trim Square Cutout: 2-5/8" (67 mm) x 2-5/8" (67 mm)</b></p> <p><b>Flangeless Trim Round Cutout diameter: <math>\varnothing</math> 3-3/16" (81 mm)</b>   <b>Flangeless Trim Square Cutout: 3-3/16" (81 mm) x 3-3/16" (81 mm)</b>  (Mud-in-plate sold separately)</p> <p><b>Optional:</b> Reusable steel cutout template for square trim (<b>TEMP-SQ</b>)</p> <p>Consult trims specification sheets for plenum space requirements.  Can fit in ceiling from 1/2" (12 mm) to 1-3/8" (35 mm) thick.  Insulation material must be kept at least 3" (76 mm) away from the fixture.  Mounting bars extend from 10" (254 mm) to 24-1/2" (622 mm) to fit in most ceiling structures.</p>
PERFORMANCE	<p><b>Performance 1:</b> up to 1,375 lumens (14W)  Consult trims specification sheets for complete details.</p>
POWER	120V - 277V
DIMMING	<p>2 types of dimming offered all within the same unit:</p> <ul style="list-style-type: none"> <li>• Electronic Low Voltage (ELV) (120V only)</li> <li>• 0-10V (120V/277V)</li> </ul> <p>Due to constant evolution of dimmers we must test them regularly.  We invite you to frequently consult our Web site to find our suggested compatible dimmers list: <a href="http://www.contrastlighting.com">www.contrastlighting.com</a></p>
COMPATIBLE TRIMS	<p><b>Performance 1 (14W)</b></p> <p>A2RAF    A2RFR    A2SAR    A2SSF  A2RAR    A2RSF    A2SFR</p>
CERTIFICATION	cULus <b>E343977</b> for damp and wet locations with shower trims
WARRANTY	5 years on LED driver.

# CONTRASTE

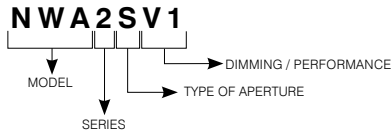
# NWA2R - NWA2S

2-1/2" Series - Ardito

New Construction Housing



## CODIFICATION EXAMPLE



## ORDERING CODES

MODEL	SERIES	TYPE OF APERTURE	DIMMING / PERFORMANCE
<b>NWA</b>	<b>2</b>		<b>V1</b>
<b>NWA</b> Ardito New Construction Housing	<b>2</b> 2-1/2" Series	<b>R</b> Round <b>S</b> Square	<b>V1</b> 14W (up to 1,375 lumens) 120V/277V 0-10V ELV (120V only)

## MUD-IN-PLATE OPTION

Required with the use of flangeless trims.  
(see installation instructions sheet for more details)

### ROUND

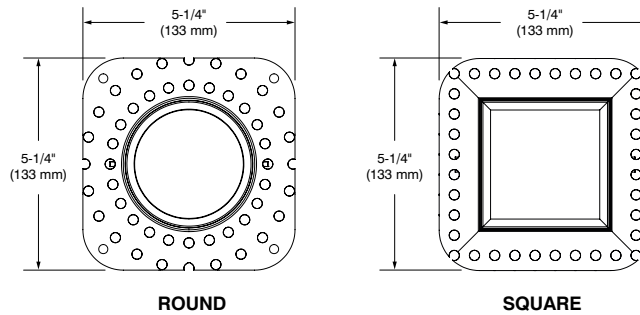
$\varnothing$  3-3/16" (81 mm)

Code: MIPA2R

### SQUARE

3-3/16" (81 mm) x 3-3/16" (81 mm)

Code: MIPA2S



## REUSABLE TEMPLATE OPTION

Reusable steel cutout template for square trim

Code: TEMP-SQ

