

NW3000T-LED

3-1/2" 3000 Series - Evolution LED

IC Air Tight New Construction Housing for GU10 LED Lamp

Project	
Notes	
Fixture Type	
Date	

SPECIFICATIONS

HOUSING DETAILS 18 gauge 0,051" (1,3 mm) thickness galvanized steel.
 Approved for installation in insulated ceiling with direct contact to insulating material (except polyurethane).
 Air Tight.
 Junction box can support up to 10 – 14 gauge wires or 8 – 12 gauge wires.
 Below-ceiling accessible.

MOUNTING **Cutout diameter: Ø 3-5/8" (92 mm)**
 Can fit in ceilings up to 1-1/2" (38 mm) thick.
 Requires a 4-1/2" (114 mm) clearance beyond the ceiling level.
 Contrast hooks for ease of installation and a perfect fit to ceiling.
 Mounting bars extend from 10" (254 mm) to 24-1/2" (622 mm) to fit in most ceiling structures (compatible with suspended ceilings).
 No light leakage.

LAMP **GU10 LED 9,8W MAX**
 This product was designed for GU10 LED lamp. If you want to use a dimmer, please refer regularly to the lamp manufacturer dimmer compatibility list.

VOLTAGE 120 Volts

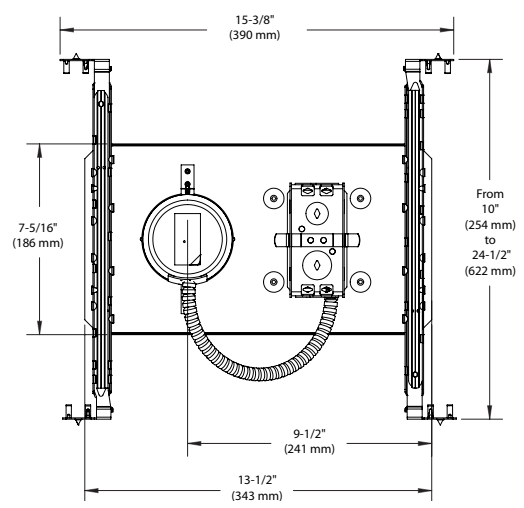
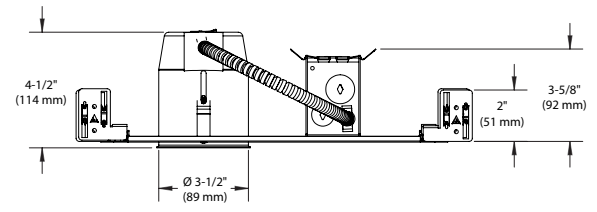
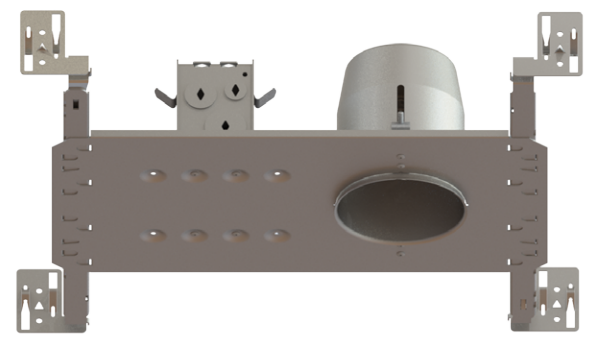
COMPATIBLE TRIMS	R3151	S3151	T3145W	T3400D
	R3151K	S3400	T3152	T3450
	R3151W	S3450	T3165	T3450D
	R3151WK	S3450D	T3185	T3450K
	R3152	T3000	T3200	T3450W
	R3171	T3100	T3250	T3450WK
	R3450D	T3125	T3250DG	T3650
	R3470	T3145	T3260	T3652
	R3652	T3145D	T3300	T3850
	S3145	T3145DG	T3400	

THERMAL PROTECTION TC 194°F (90°C)

CERTIFICATION

- cULus **E343977** for damp locations
- Certified Air Tight ASTM E283

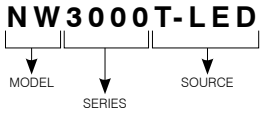
WARRANTY 1 year warranty against manufacturing defects.



NW3000T-LED

3-1/2" 3000 Series - Evolution LED

CODIFICATION EXAMPLE



ORDERING CODE

MODEL	SERIES	SOURCE
NW	3000	T-LED
NW New Construction	3000 3-1/2" Series	T-LED GU10 LED Lamp

