

NW3000CM

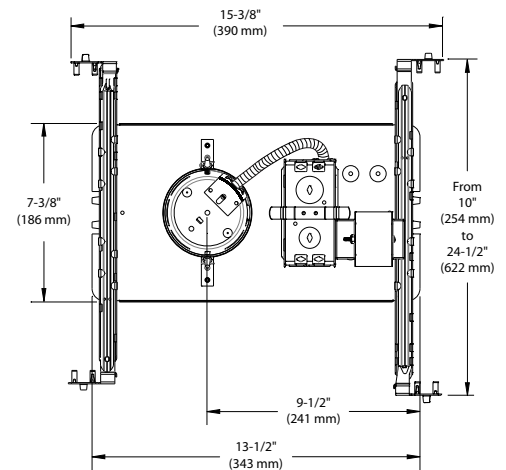
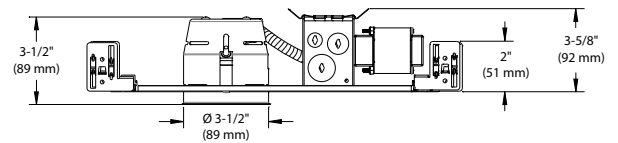
3-1/2" 3000 Series

Short New Construction Housing with Magnetic Transformer

Project	
Notes	
Fixture Type	
Date	

SPECIFICATIONS

HOUSING DETAILS	18 gauge 0,051" (1,3 mm) thickness galvanized steel. Junction box can support up to 10 – 14 gauge wires or 8 – 12 gauge wires. Below-ceiling accessible.
SOCKET	Porcelain; GU 5.3 Pre-wired with 18 gauge wire Teflon 250° connected to the junction box.
MOUNTING	Cutout diameter: Ø 3-5/8" (92 mm) Can fit in ceilings up to 1-1/2" (38 mm) thick. Requires a 3-1/2" (89 mm) clearance beyond the ceiling level. Mounting bars extend from 10" (254 mm) to 24-1/2" (622 mm) to fit in most ceiling structures. All parts of the housing should be at 3" (76 mm) MINIMUM from insulation (if applicable). No light leakage.
LAMP	MR16 GU 5.3 35W MAX This product was designed for a MR16 halogen lamp. If you want to use dimming and you replace MR16 lamp by an equivalent LED MR16 lamp, please refer regularly to the lamp manufacturer dimmer compatibility list.
VOLTAGE	NW3000CM: 120 Volts (CAN & USA) NW3000CM2: 277 Volts (USA) NW3000CM3: 347 Volts (CAN)
TRANSFORMER	Magnetic Transformer 120V/12V - 50VA — 277V/12V - 50VA — 347V/12V - 50VA
COMPATIBLE TRIMS	35W MR16 GU 5.3 T3000 T3400D R3470 T3100 T3450D T3200 T3125 T3250 T3145DG T3260 T3250DG T3300 R3450D
THERMAL PROTECTION	TC 266°F (130°C)
CERTIFICATION	cULus E174023 for damp locations
WARRANTY	5 years on socket and 10 years on magnetic transformer.



CONTRASTE

1009, rue du Parc Industriel
Lévis (Québec) G6Z 1C5 Canada
Tel.: 1-888-839-4624
Fax.: 1-877-839-7057
contrastlighting.com
info@contrastlighting.com

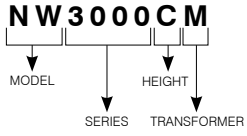
© 2017 Contrast Lighting M.L. Inc.
All rights reserved

Contrast Lighting M.L. Inc reserves the right to make changes in specifications and/or to discontinue any product at any time without notice or obligation and will not be liable for any consequences resulting from the use of this publication.

NW3000CM

3-1/2" 3000 Series

CODIFICATION EXAMPLE



ORDERING CODE

MODEL	SERIES	HEIGHT	TRANSFORMER	VOLTAGE
NW	3000	C	M	
NW New Construction	3000 3-1/2" 3000 Series	C Short	M Magnetic	120 Volts 2 277 Volts 3 347 Volts



CONTRASTE

1009, rue du Parc Industriel
Lévis (Québec) G6Z 1C5 Canada
Tel.: 1-888-839-4624
Fax.: 1-877-839-7057
contrastlighting.com
info@contrastlighting.com

© 2017 Contrast Lighting M.L. Inc.
All rights reserved

Contrast Lighting M.L. Inc reserves the right to make changes in specifications and/or to discontinue any product at any time without notice or obligation and will not be liable for any consequences resulting from the use of this publication.