

# NW2000CAU

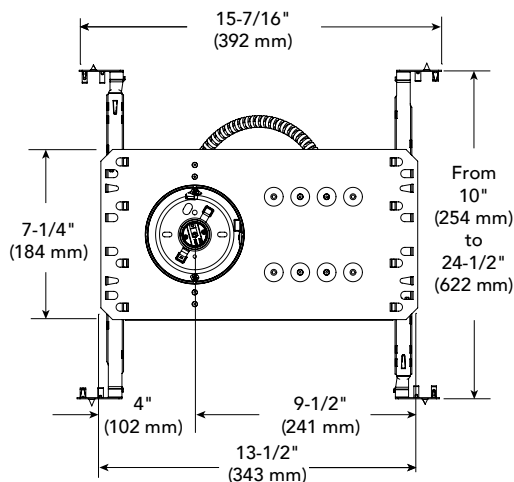
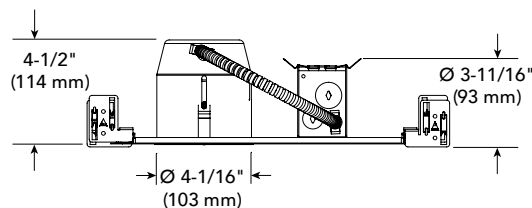
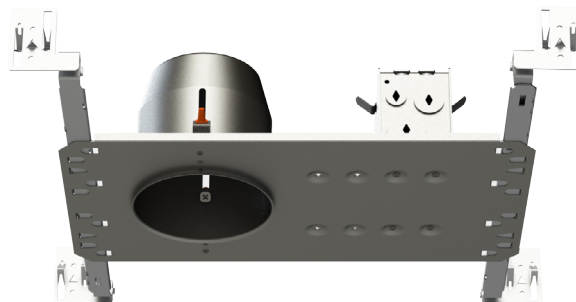
4" 2000 Series

Project	
Notes	
Fixture Type	
Date	

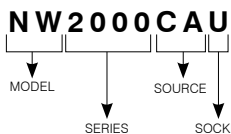
## New Construction Housing for Adjustable or Fixed PAR20 Lamp

### SPECIFICATIONS

HOUSING DETAILS	18 gauge 0,051" (1,3 mm) thickness galvanized steel. Junction box can support up to 10 – 14 gauge wires or 8 – 12 gauge wires. Below-ceiling accessible.												
SOCKET	Porcelain; medium base socket (E26). Pre-wired with 18 gauge wire SEW 200°C connected to the junction box.												
MOUNTING	<b>Cutout diameter: Ø 4-1/4" (107 mm)</b> Can fit in ceilings up to 1-1/2" (38 mm) thick. Requires a 4-1/2" (114 mm) clearance beyond the ceiling material. Contraste hooks for ease of installation and a perfect fit to ceiling. Mounting bars extend from 10" (254 mm) to 24-1/2" (622 mm) to fit in most ceiling structures (compatible with suspended ceilings). No light leakage.												
LIGHT SOURCE	<b>PAR20 Halogen Lamp 50W MAX</b>  This product was designed for a PAR20 halogen lamp. If you want to use dimming and you replace PAR20 lamp by an equivalent LED PAR20 lamp, please refer regularly to the lamp manufacturer dimmer compatibility list.												
COMPATIBLE TRIMS	<b>PAR20 50W</b>  <table border="1"> <tr> <td>A2000</td> <td>A2100</td> <td>A2450S</td> </tr> <tr> <td>A2000V</td> <td>A2100VT</td> <td>A2450VT</td> </tr> <tr> <td>A2000VL</td> <td>A2120</td> <td>D2000</td> </tr> <tr> <td>A2020</td> <td>A2400S</td> <td>D2100</td> </tr> </table>	A2000	A2100	A2450S	A2000V	A2100VT	A2450VT	A2000VL	A2120	D2000	A2020	A2400S	D2100
A2000	A2100	A2450S											
A2000V	A2100VT	A2450VT											
A2000VL	A2120	D2000											
A2020	A2400S	D2100											
VOLTAGE	120 Volts (CAN & USA)												
THERMAL PROTECTION	TC 212°F (100°C)												
CERTIFICATION	cULus <b>E174023</b> for damp locations												
WARRANTY	5 years on socket												



### CODIFICATION EXAMPLE



### ORDERING CODE

MODEL	SERIES	SOURCE	SOCKET
<b>NW</b>	<b>2000</b>	<b>CA</b>	<b>U</b>
<b>NW</b> New Construction Housing	<b>2000</b> 4" 2000 Series	<b>CA</b> PAR20 Lamp	<b>U</b> Universal

