

IT4000E

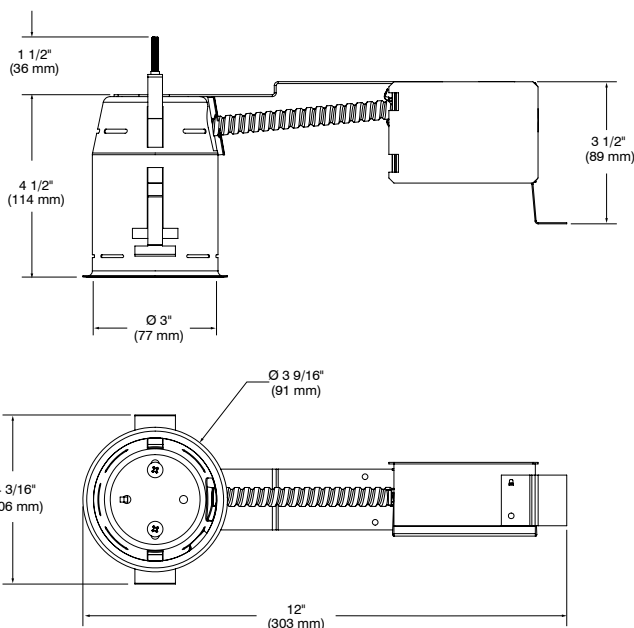
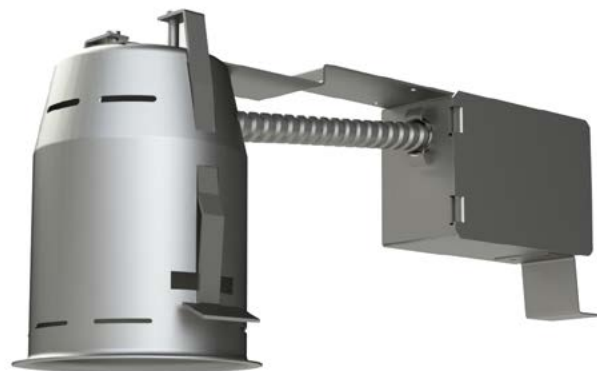
3" 4000 Series

Project
Notes
Fixture Type
Date

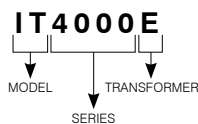
Remodel Housing with Electronic Transformer

SPECIFICATIONS

HOUSING DETAILS	18 gauge 0,051" (1,3 mm) thickness galvanized steel. Junction box can support up to 10 – 14 gauge wires or 8 – 12 gauge wires. Below-ceiling accessible.		
MOUNTING	Cutout diameter: Ø 3-1/4" (82 mm) Can fit in ceilings up to 7/8" (22 mm) thick. Requires a 6" (152 mm) clearance beyond the ceiling level. Must be installed 3" (76 mm) from any insulating material. Patented hook (PAT#CAN 2,088,648 and #USA 5,377,088) for ease of installation and a perfect fit to ceiling. No light leakage.		
LAMP	MR16 GU 5.3 20-35W MAX This product was designed for a MR16 halogen lamp. If you want to use dimming and you replace MR16 lamp by an equivalent LED MR16 lamp, please refer regularly to the lamp manufacturer dimmer compatibility list.		
VOLTAGE	IT4000E: 120 Volts (CAN & USA) IT4000E2: 277 Volts (USA)		
TRANSFORMER	Lightech Electronic Transformer, LET75 Model. 75 VA 120V/12V — 75 VA 277V/12V		
COMPATIBLE TRIMS	20W MR16 GU 5.3	35W MR16 GU 5.3	
	T4145 S4151	T4000	T4200V
	T4450 S4450	T4125	T4300
	T4650	T4200	
THERMAL PROTECTION	TC 248°F (120°C)		
CERTIFICATION	cULus E174023 for damp locations.		
WARRANTY	5 years on socket and 3 years on electronic transformer.		



CODIFICATION EXAMPLE



ORDERING CODE

MODEL	SERIES	TRANSFORMER	VOLTAGE
IT	4000	E	
IT Remodel	4000 3" 4000 Series	E Electronic	120 Volts 2 277 Volts

