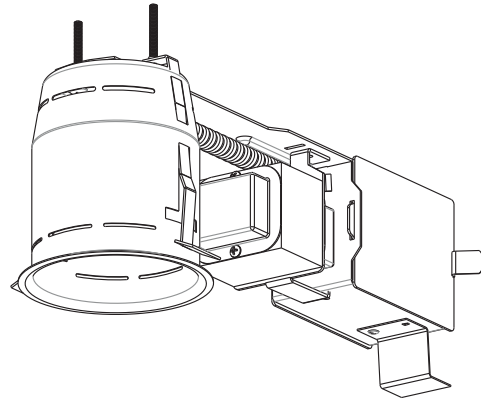


# SPECIFICATION SHEET

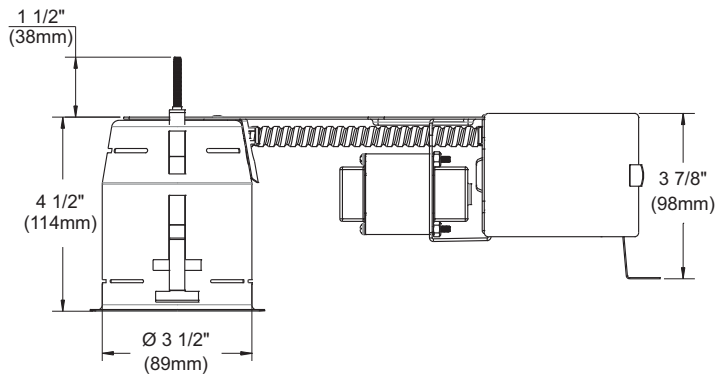
3 1/2" 3000 SERIES

# IT3000M IT3000M2 IT3000M3

REMODEL HOUSING WITH  
MAGNETIC TRANSFORMER

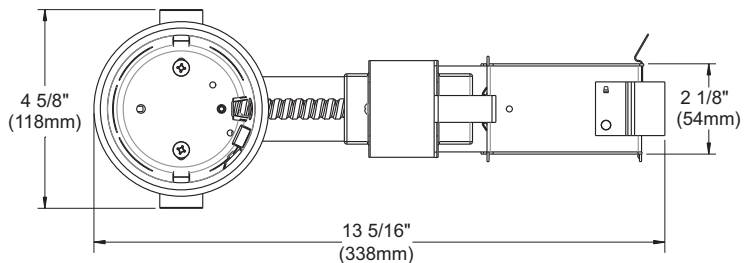


	<b>YES</b>
<b>Damp Location</b>	
	<b>MR16 50W MAX</b>
<b>MR16</b>	
	<b>IT3000M : 120 VOLTS (CAN &amp; USA.)</b> <b>IT3000M2 : 277 VOLTS (USA)</b> <b>IT3000M3 : 347 VOLTS (CANADA)</b>
<b>Voltage</b>	
	<b>Magnetic Transformer</b> <b>EC50M 50 VA 120V / 12V</b> <b>EC50M2 50 VA 277V / 12V</b> <b>EC50M3 50 VA 347V / 12V</b>
<b>Magnetic Transformer</b>	
	<b>T°C 120°C No 031</b>
<b>Thermal Protector</b>	
	<b>3 5/8" (92mm)</b>
<b>OD Cut</b>	
	<b>E174023</b>
<b>UL LISTED</b>	
	<b>Overall Dimensions :</b> <b>Length : 13 5/16" (338mm)</b> <b>Width : 4 5/8" (118mm)</b> <b>Height : 6" (152mm)</b>
<b>Dimensions</b>	



## COMPATIBLE TRIMS

37W MR16		42W MR16		50W MR16	
R3171	T3145DG	T3000	T3200	T3145	T3450
R3450D	T3250DG	T3100	T3250	T3145D	T3450D
R3470	T3671	T3125	T3260	T3400	T3500
R3470D		T3300		T3400D	T3500D



## TECHNICAL SPECIFICATIONS

0,051" (1,3mm) thickness Galvanized Steel.  
Below-ceiling accessible.  
Hooks PAT#CAN 2,088,648 and #USA 5,377,088.  
Takes up to 7/8" thick ceiling.  
Perfect fit into ceiling.  
No light leak.  
Each part of the case should be at 3 "(76mm) MINIMUM from insulation (if applicable).



Your representative : \_\_\_\_\_

Your project : \_\_\_\_\_