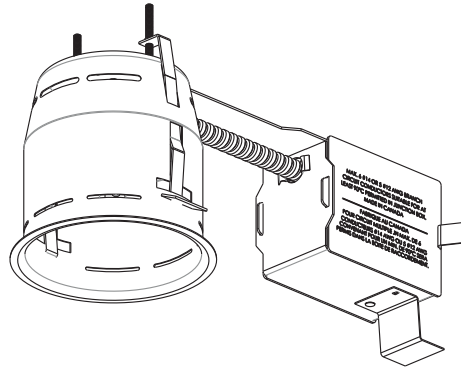


SPECIFICATION SHEET

4" 2000 SERIES

IT2000T

REMODEL HOUSING FOR GU/GZ-10 BULB



YES

Damp Location



NO

MR16



GU/GZ-10

GU/GZ-10 50W MAX.



Voltage

120 VOLTS (CAN & USA)



Thermal Protector

T°C 120°C No 031



OD Cut

4 1/4" (107mm)



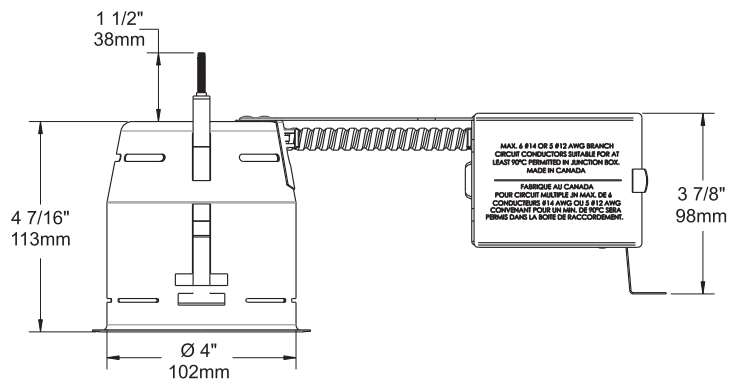
LISTED

E174023



Dimensions

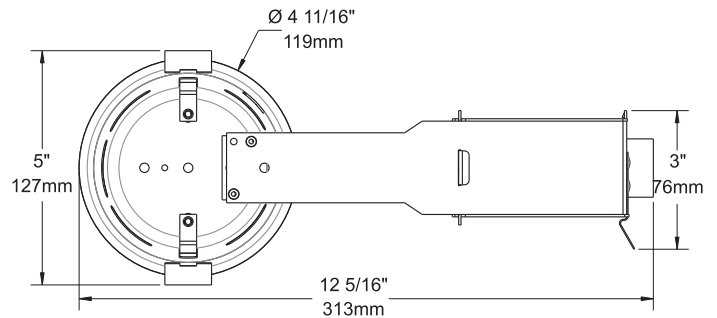
Overall Dimensions :
Length : 12 1/2" (318mm)
Width : 5" (127mm)
Height : 6" (152mm)



COMPATIBLE TRIMS

GU/GZ-10

R2000
T2000
T2000V
T2010V
T2000VL
T2010VL



TECHNICAL SPECIFICATIONS

0,051" (1,3mm) thickness Galvanized Steel.
Below-ceiling accessible.
Hooks PAT#CAN 2,088,648 and #USA 5,377,088.
Takes up to 7/8" thick ceiling.
Perfect fit into ceiling.
No light leak.
Each part of the case should be at 3 "(76mm) MINIMUM from insulation (if applicable).



Your representative : _____

Your project : _____

CONTRAST
LIGHTING

1009, rue du Parc Industriel, Saint-Jean-Chrysostome, Qc, CAN, G6Z1C5 Tel.: 1-888-839-4624 Fax : 1-877-839-7057
info@contrastlighting.com
www.contrastlighting.com

NOVEMBER 2009