

# IT2000T-LED

4" 2000 Series - Evolution LED

## IC Air Tight Remodel Housing for GU10 LED Lamp

Project	_____
Notes	_____
Fixture Type	_____
Date	_____

### SPECIFICATIONS

**HOUSING DETAILS** 18 gauge 0.051" (1.3 mm) thickness galvanized steel.  
 Approved for use in insulated ceilings in direct contact with the insulation material (except polyurethane).  
 Air Tight.  
 Flexible channel wire bracket made of 20 gauge steel, bending up to 45° vertically for ease of installation in confined spaces.  
 Junction box can support up to 10 – 14 gauge wires or 8 – 12 gauge wires.  
 Below-ceiling accessible.

**MOUNTING** **Cutout diameter: Ø 4-1/4" (108 mm)**  
 Can fit in ceilings up to 7/8" (22 mm) thick.  
 Requires a 6" (152 mm) clearance beyond the ceiling level.  
 Hook for ease of installation and a perfect fit to ceiling.  
 No light leakage.

**LAMP** **GU10 LED 9.8W MAX**  
 This product was designed for GU10 LED lamp. If you want to use a dimmer, please refer regularly to the lamp manufacturer dimmer compatibility list.

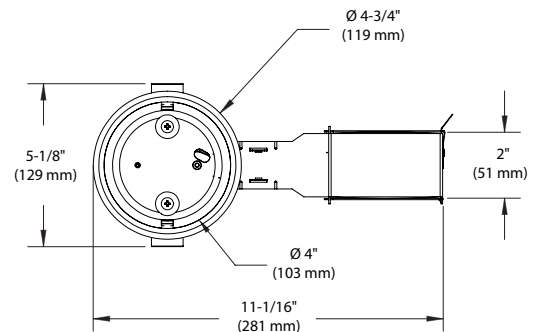
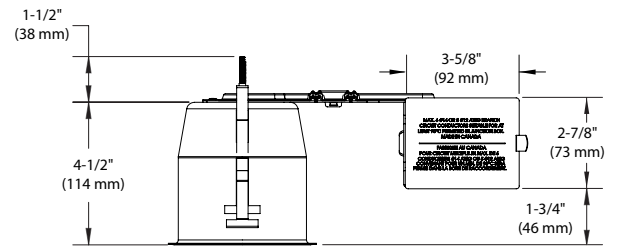
<b>VOLTAGE</b>	120 Volts			
<b>COMPATIBLE TRIMS</b>	R2000 R2000DG R2000V	R2051 R2100 R2100VT	R2450VT S2000 S2100	T2000

**THERMAL PROTECTION** TC 194°F (90°C)

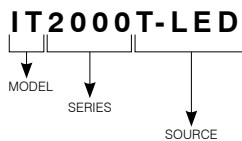
**CERTIFICATION**

- cULus **E343977** for damp locations
- Certified Air Tight ASTM E283

**WARRANTY** 1 year warranty against manufacturing defects.



### CODIFICATION EXAMPLE



### ORDERING CODE

MODEL	SERIES	SOURCE
<b>IT</b>	<b>2000</b>	<b>T-LED</b>
IT Remodel	2000 4" Series	T-LED GU10 LED Lamp

# CONTRASTE

1009, rue du Parc Industriel  
 Lévis (Québec) G6Z 1C5 Canada

Tel. : 1-888-839-4624  
 Fax. : 1-877-839-7057  
 info@contrastlighting.com

© 2016 Contrast Lighting M.L. Inc.  
 All rights reserved

Contrast Lighting reserves the right to make changes in specifications and/or to discontinue any product at any time without notice or obligation and will not be liable for any consequences resulting from the use of this publication.

