






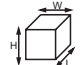


SPECIFICATION SHEET

4 1/4" 7000 SERIES

ISMR7000E35

INSULATED CEILING HOUSING WITH ELECTRONIC CONVERTER

	YES
Damp Location	
	MR16 35W MAX
MR16	
	ELECTRONIC CONVERTER
	ISMR7000E35 : 120 VOLTS (CAN & USA) ISMR7000E352 : 277 VOLTS (USA)
Voltage	
	T°C 110°C No 029
Thermal Protector	
	4 5/16" (110mm)
OD Cut	
	E174023
UL LISTED	
	Overall Dimensions : Length : 18 1/4" (464mm) Width : 10" (254mm) Height : 7 1/8" (181mm)
Dimensions	

COMPATIBLE TRIMS

MR16 35W

T7024
T7025

OPTIONS

CHICAGO PLENUM

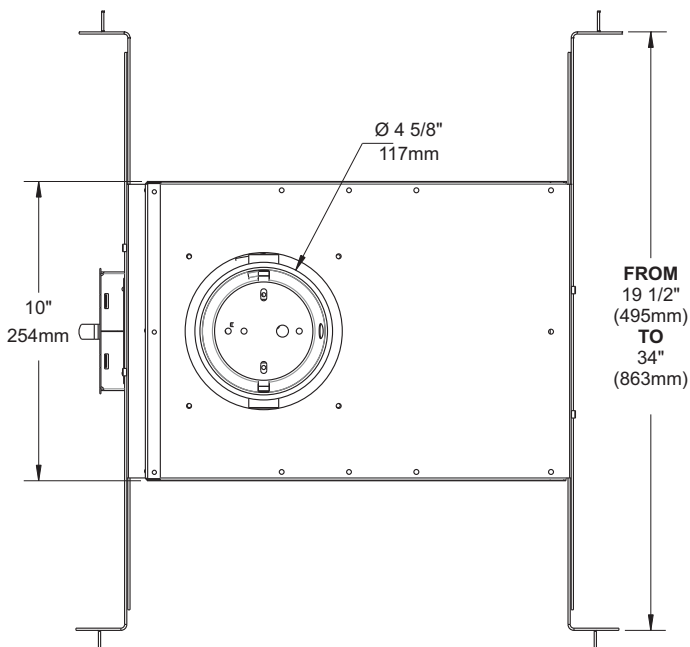
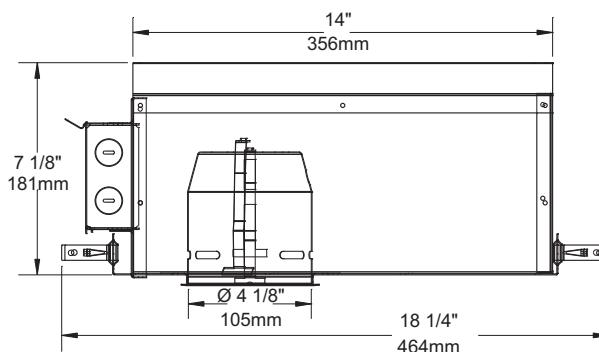
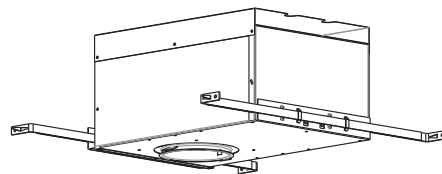
Requirement for all lighting fixtures installed in the city of Chicago. Complies for ceiling air Plenum.
Code : ISMR7000E35P

TITLE 24

Complies with California State Title 24 Energy Code.
Code : ISMR7000E35W

TECHNICAL SPECIFICATIONS

0,021" (0,53mm) thickness Galvanized Steel.
Below-ceiling accessible.
Hooks PAT#CAN 2,088,648 and #USA 5,377,088.
Takes up to 7/8" thick ceiling.
Perfect fit into ceiling.
No light leak.



Your representative : _____

Your project : _____

CONTRAST
LIGHTING

1009, rue du Parc Industriel, Saint-Jean-Chrysostome, Qc, CAN, G6Z1C5 Tel.: 1-888-839-4624 Fax : 1-877-839-7057
info@contrastlighting.com
www.contrastlighting.com

JUNE 2010