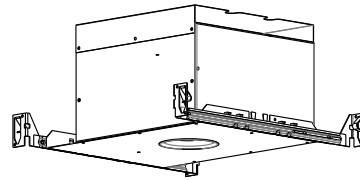










SPECIFICATION SHEET

3" 4000 SERIES

ISMR4000M

INSULATED CEILING HOUSING WITH MAGNETIC TRANSFORMER



	YES
Damp Location	
	MR16 20W MAX
MR16	
	Magnetic Transformer 120V / 12V
	ISMR4000M: 120 VOLTS (CAN & USA)
Voltage	
	T°C 110°C No 029
Thermal Protector	
	3 1/4" (83mm)
OD Cut	
	E174023
LISTED	
	Overall Dimensions: Length: 15 1/2" (394mm) Width: 10" (254mm) Height: 7 1/8" (180mm)
Dimensions	

COMPATIBLE TRIMS

MR16 20W max

T4000	T4300
T4125	T4450
T4145	T4650
T4200	S4151
T4200V	S4450

OPTIONS

CHICAGO PLENUM

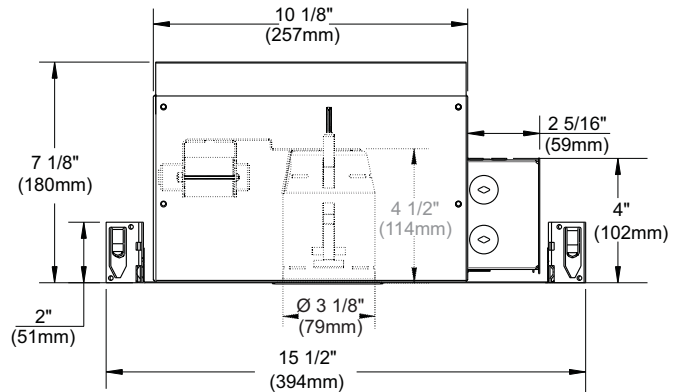
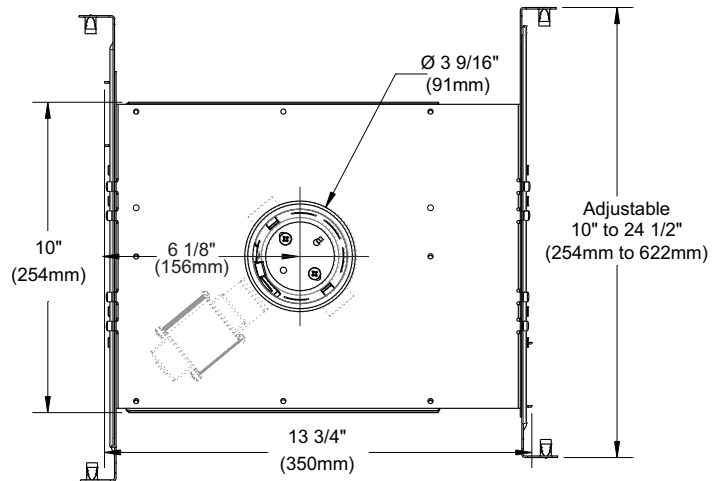
Requirement for all lighting fixtures installed in the city of Chicago. Comply for ceiling air Plenum.
Code: ISMR4000MP

TITLE 24

Comply with California State Title 24 Energy Code.
Code: ISMR4000MW

TECHNICAL SPECIFICATIONS

0,021" (0,53mm) thickness Galvanized Steel.
Below-ceiling accessible.
Hooks PAT#CAN 2,088,648 and #USA 5,377,088.
Takes up to 7/8" thick ceiling.
Perfect fit into ceiling.
No light leak.



Your representative: _____

Your project: _____