

ISLD300

3-1/2" Series - Concerto LED

Project	_____
Notes	_____
Fixture Type	_____
Date	_____

Insulated Housing

SPECIFICATIONS

HOUSING DETAILS Galvanized steel and aluminum housing to optimize heat dissipation, of a thickness up to 18 gauge (0,051" (1,3 mm)). Junction box can support up to 10 - 14 gauge wires or 8 - 12 gauge wires (90° wires).
Below-ceiling accessible.
Can be installed in insulated ceilings, except polyurethane.

MOUNTING **Cutout diameter: Ø 3-5/8" (92 mm)**
Perfect fit to ceiling, no light leakage.
Can fit in ceilings up to 1-1/2" (38 mm) thick.
Mounting bars extend from 10" (254 mm) to 24-1/2" (622 mm) to fit in most ceiling structures.

PERFORMANCE **Performance 1:** 1,500 lumens (16W)
Performance 2: 2,000 lumens (23W)

POWER **ELV:** 120V only
0-10V and PWM: Dual Voltage 120V / 277V

DIMMING 3 types of dimming offered:
• Electronic Low Voltage (ELV)
• 0-10V
• Lutron Hi-Lume A-Series LED Driver with Eco System Control / 3-wire (PWM)

Due to constant evolution of dimmers we must test them regularly.
We invite you to consult frequently our Web site to find our dimmer compatibility list: www.contrastlighting.com

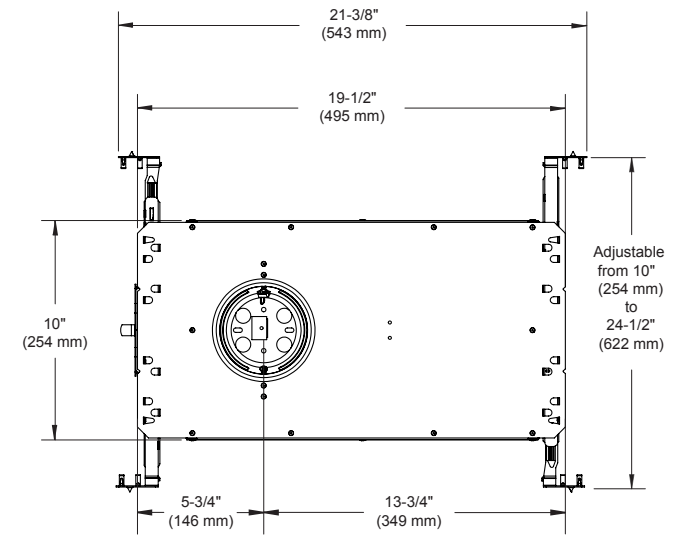
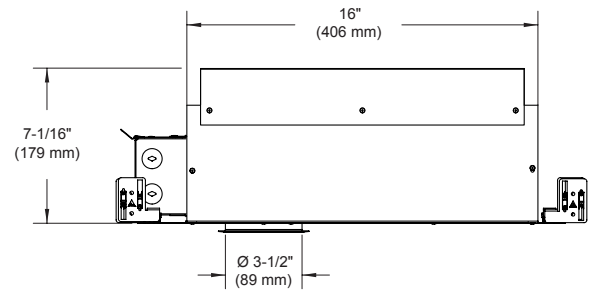
COMPATIBLE TRIMS	Performance 1		Performance 2	
	16W		23W	
LD3A	LD3F	LD3C	LD3G	LD3H
LD3B	LD3G	LD3D	LD3I	
LD3C	LD3H	LD3E		
LD3D	LD3I	LD3F		
LD3E				

CERTIFICATION • cULus **E343977** for damp and wet locations
• Chicago Plenum (optional)

WARRANTY 5 years on LED driver.



ISLD300L E/D 1/2 (illustrated)



CONTRASTE

1009, rue du Parc Industriel
Lévis (Québec) G6Z 1C5 Canada

Tel.: 1-888-839-4624
Fax.: 1-877-839-7057

info@contrastlighting.com

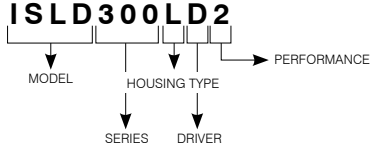
© 2017 Contrast Lighting M.L. Inc.
All rights reserved

Contrast Lighting reserves the right to make changes in specifications and/or to discontinue any product at any time without notice or obligation and will not be liable for any consequences resulting from the use of this publication.

ISLD300

3-1/2" Series - Concerto LED

CODIFICATION EXAMPLE



ORDERING CODE

MODEL		SERIES		HOUSING TYPE		DRIVER		PERFORMANCE		COMPLIANCE OPTION	
ISLD		300		L							
ISLD	Insulated Housing	300	300 Series	L	Long	E	ELV - 120V Only	1	1,500 lumens	...	Standard
						D	0-10V - Dual Voltage (120V / 277V)	2	2,000 lumens	X	Chicago Plenum
						A	Lutron Hi-Lume A-Series Eco System / 3-wire (PWM) Dual Voltage (120V / 277V)				

* Performance 1 and 2 housings are compatible with performance 2 trims.



CONTRASTE