

SPECIFICATION SHEET

# ISA4R-ISA4S

4" Series - Ardito

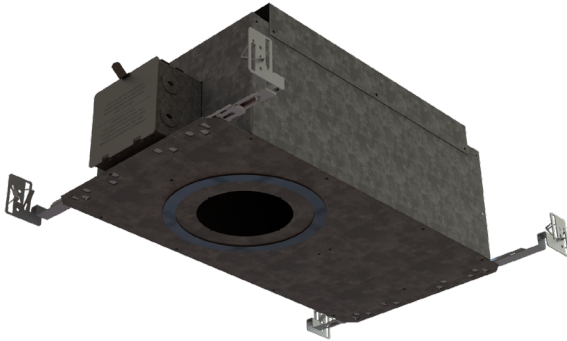
Insulated Housing

Project \_\_\_\_\_

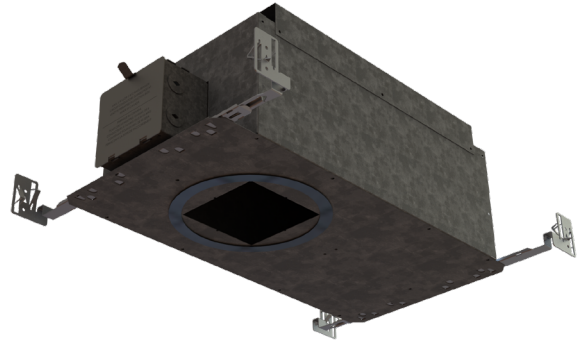
Notes \_\_\_\_\_

Fixture type \_\_\_\_\_

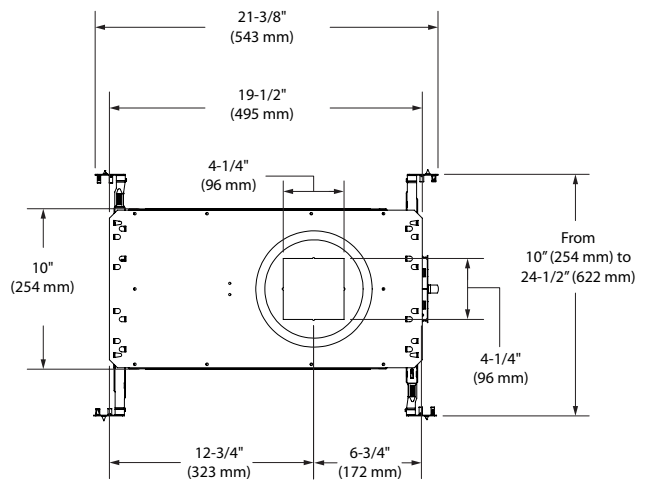
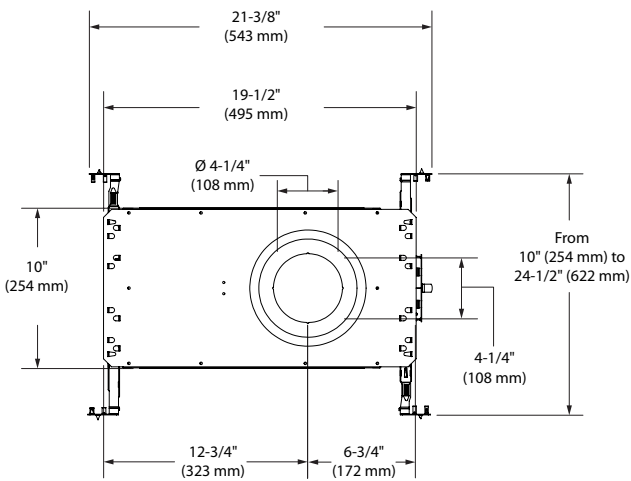
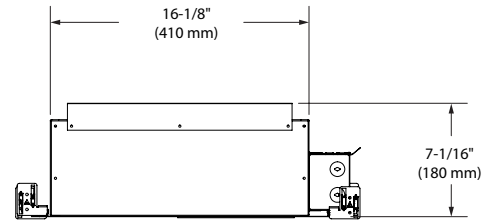
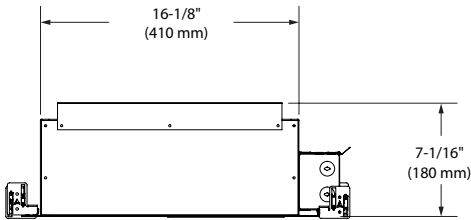
Date \_\_\_\_\_



ISA4R (illustrated)



ISA4S (illustrated)



# CONTRASTE

## SPECIFICATION SHEET

**ISA4R-ISA4S****4" Series - Ardito****Insulated Housing**

## SPECIFICATIONS

HOUSING DETAILS	Galvanized steel and aluminum housing to optimize heat dissipation, of a thickness up to 18 gauge (0,051" / 1,3 mm). 33-1/2 in <sup>3</sup> junction box can support up to 10 - 14 gauge wires or 8 - 12 gauge wires (90° wires). Below-ceiling accessible. Can be installed in insulated ceilings, except polyurethane.	
MOUNTING AND SUPPORT	<p><b>Round Cutout: <math>\varnothing</math> 4-1/4" (108 mm)</b>  <b>Square Cutout: 4-1/4" (108 mm) x 4-1/4" (108 mm)</b></p> <p><b>Mud-in-Plate:</b> Required with the use of flangeless trim (<b>MIPA4R, MIPA4S</b>)</p> <p><b>Optional:</b> Reusable steel cutout template for square trim (<b>TEMP-SQ</b>)</p> <p>Perfect fit to ceiling. Can fit in ceiling up to 1-1/2" (38 mm) thick Minimal thickness determined by the choice of the trim (Consult page 3 compatible trims table chart for minimum thickness requirement). Mounting bars extend from 10" (254 mm) to 24-1/2" (622 mm) to fit in most ceiling structures.</p>	
POWER	120V - 277V	
DRIVER (OPTIONS)	<p><b>PERFORMANCE 1</b></p> <p>1,300 lumens (14W) For standard (solid white) light engines</p> <p><u>2 types of dimming offered:</u></p> <ul style="list-style-type: none"> <li>• Electronic Low Voltage (ELV) (120V only)</li> <li>• 0-10V (120V/277V)</li> </ul> <p>Due to constant evolution of dimmers we must test them regularly. We invite you to consult frequently our Web site to find our dimmer compatibility list: <a href="http://www.contrastlighting.com">www.contrastlighting.com</a></p>	<p><b>PERFORMANCE 2</b></p> <p>1,900 lumens (23W) For standard (solid white) light engines</p> <p><u>2 types of dimming offered:</u></p> <ul style="list-style-type: none"> <li>• Electronic Low Voltage (ELV) (120V only)</li> <li>• 0-10V (120V/277V)</li> </ul>
	<p><b>PERFORMANCE L</b></p> <p>700 lumens (12,5W) For <b>"WD" (Warm Dimming)</b> or <b>"CT" (Color Tuning)</b> light engines Consult trims specification sheets for complete details.</p> <p><b>WD (Warm Dimming)</b></p> <p><u>One driver available in one performance (12,5W) and offering one dimming option:</u></p> <ul style="list-style-type: none"> <li>• 0-10V (120V/277V)</li> </ul> <p>Consult Lumenetix Website (<a href="http://www.lumenetix.com">www.lumenetix.com</a>) and refer to the documentation for the DDM119 module for more information.</p>	<p><b>CT (Color Tuning)</b></p> <p><u>One driver available in one performance (12,5W) and offering different control options:</u></p> <ul style="list-style-type: none"> <li>• DMX512-A: 4 channels - DIM (dim level) - CCT (correlated color temperature) - SAT (saturation level) - HUE (color)</li> <li>• 0-10V: One dimmer per channel (ex.: DIM and CCT)</li> <li>• "Araya 5" iOS App. (free): Allows programmation of up to 5 scenes. The App. can be used to override the cabled system.</li> </ul> <p>Consult Lumenetix Website (<a href="http://www.lumenetix.com">www.lumenetix.com</a>) and refer to the documentation for the CTM119 module for more information.</p>

**CONTRASTE**

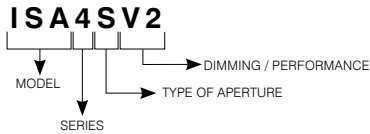
## SPECIFICATION SHEET

**ISA4R-ISA4S****4" Series - Ardito****Insulated Housing**

## SPECIFICATIONS (CONT'D)

COMPATIBLE TRIMS	ISA4R (round aperture)			ISA4S (square aperture)			MINIMUM REQUIREMENTS CEILING THICKNESS
	Performance 1 (14W)	Performance 2 (23W)	Performance L (12,5W)	Performance 1 (14W)	Performance 2 (23W)	Performance L (12,5W)	
	A4RAF	A4RAF	A4RAF	*A4SAR	*A4SAR	***A4SAR	*1/4" (6 mm) if using Performance L
	*A4RAR	*A4RAR	***A4RAR	*A4SFR	*A4SFR	***A4SFR	** 1/2" (13 mm) if using Performance L
	*A4RFR	*A4RFR	***A4RFR	*A4SSF	*A4SSF	****A4SFW	*** 1/4" (6 mm) if using Performance 1 and 2 3/4" (19 mm) if using Performance L
	*A4RSF	*A4RSF	****A4RWW	**A4SWW	**A4SWW		**** 1/2" (13 mm) if using Performance 1 and 2 1" (25 mm) if using Performance L
	**A4RWW	**A4RWW					
CERTIFICATION	cULus <b>E343977</b> for damp locations and wet locations with the shower trims						
WARRANTY	5 years on LED driver						

## CODIFICATION EXAMPLE



## ORDERING CODES

MODEL	SERIES	TYPE OF APERTURE	DIMMING / PERFORMANCE	COMPLIANCE OPTION
<b>ISA</b>	<b>4</b>			
<b>ISA</b> Ardito Insulated Housing	<b>4</b> 4" Series	<b>R</b> Round <b>S</b> Square	<b>V1</b> 14W (1,300 lumens) 120V/277V 0-10V ELV (120V only)  <b>V2</b> 23W (1,900 lumens) 120V/277V 0-10V ELV (120V only)  <b>VL</b> 12.5W (700 lumens) 120V/277V To be used with "WD" or "CT" light engines  WD: Warm Dimming CT: Color Tuning	<b>X</b> Standard Chicago Plenum
→ For more details, see page 2 (Driver (options))				

**CONTRASTE**

# ISA4R-ISA4S

4" Series - Ardito


Insulated Housing



## MUD-IN-PLATE OPTION


Required with the use of a flangeless trim (see installation instructions for more details)

### ROUND

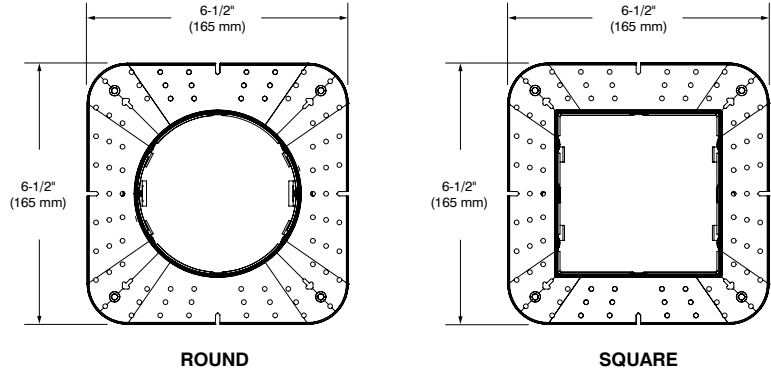
  $\varnothing$  4-1/4" (108 mm)

Code: MIPA4R

### SQUARE

 4-1/4" (108 mm) x 4-1/4" (108 mm)

Code: MIPA4S



## REUSABLE TEMPLATE OPTION

Reusable steel cutout template for square trim

Code: TEMP-SQ

