

SPECIFICATION SHEET

ISA3R-ISA3S

3-1/2" Series - Ardito

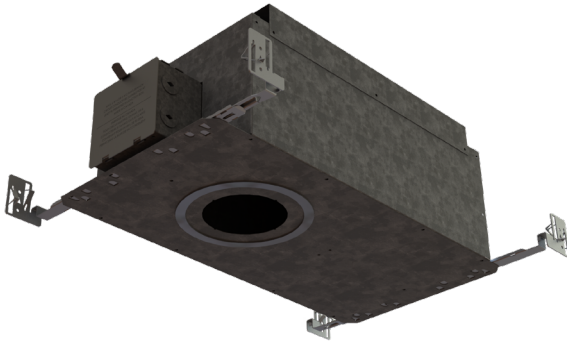
Insulated Housing

Project _____

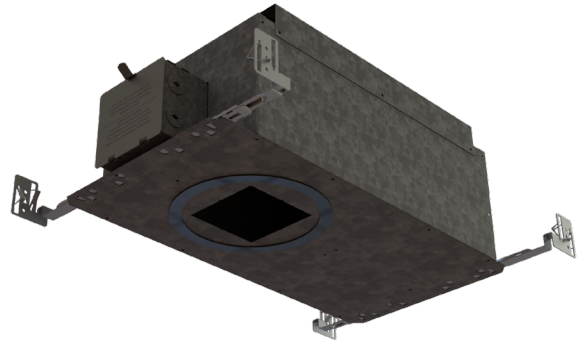
Notes _____

Fixture type _____

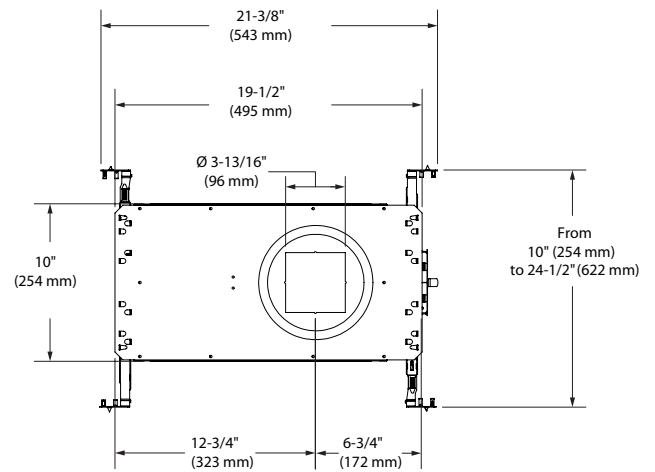
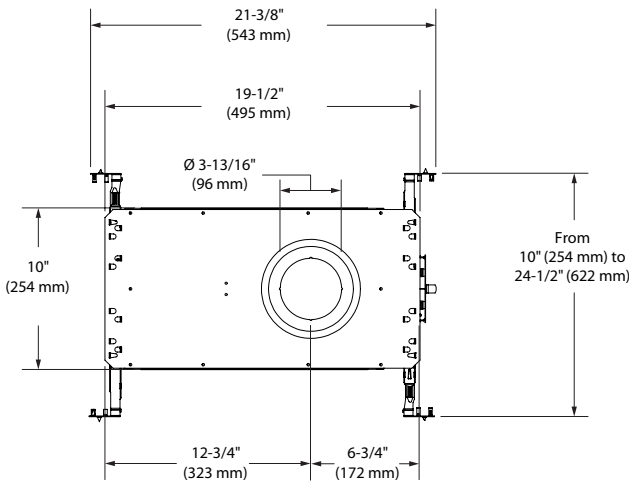
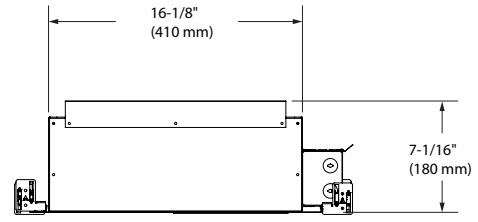
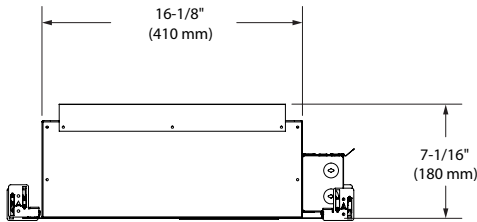
Date _____



ISA3S (illustrated)



ISA3R (illustrated)



CONTRASTE

1009, rue du Parc Industriel
Lévis (Québec) G6Z 1C5 Canada
Tel.: 1-888-839-4624
Fax.: 1-877-839-7057
contrastlighting.com
info@contrastlighting.com

© 2017 Contrast Lighting M.L. Inc.
All rights reserved

Contrast Lighting M.L. Inc. reserves the right to make changes in specifications and/or to discontinue any product at any time without notice or obligation and will not be liable for any consequences resulting from the use of this publication.

SPECIFICATION SHEET

ISA3R-ISA3S**3-1/2" Series - Ardito****Insulated Housing**

SPECIFICATIONS

HOUSING DETAILS	Galvanized steel and aluminum housing to optimize heat dissipation, of a thickness up to 18 gauge (0,051" / 1,3 mm). 33-1/2 in ³ junction box can support up to 10 - 14 gauge wires or 8 - 12 gauge wires (90° wires). Below-ceiling accessible. Can be installed in insulated ceilings, except polyurethane.	
MOUNTING AND SUPPORT	<p>Round Cutout: \varnothing 3-3/4" (95 mm) Square Cutout: 3-3/4" (95 mm) x 3-3/4" (95 mm)</p> <p>Mud-in-Plate: Required with the use of flangeless trim (MIPA3R, MIPA3S)</p> <p>Optional: Reusable steel cutout template for square trim (TEMP-SQ)</p> <p>Perfect fit to ceiling. Can fit in ceiling up to 1-1/2" (38 mm) thick Minimal thickness determined by the choice of the trim (Consult page 3 compatible trims table chart for minimum thickness requirement). Mounting bars extend from 10" (254 mm) to 24-1/2" (622 mm) to fit in most ceiling structures.</p>	
POWER	120V - 277V	
DRIVER (OPTIONS)	<p>PERFORMANCE 1</p> <p>1,300 lumens (14W) For standard (solid white) light engines</p> <p><u>2 types of dimming offered:</u></p> <ul style="list-style-type: none"> • Electronic Low Voltage (ELV) (120V only) • 0-10V (120V/277V) <p>Due to constant evolution of dimmers we must test them regularly. We invite you to consult frequently our Web site to find our dimmer compatibility list: www.contrastlighting.com</p>	<p>PERFORMANCE 2</p> <p>1,900 lumens (23W) For standard (solid white) light engines</p> <p><u>2 types of dimming offered:</u></p> <ul style="list-style-type: none"> • Electronic Low Voltage (ELV) (120V only) • 0-10V (120V/277V)
	<p>PERFORMANCE L</p> <p>700 lumens (12,5W) For "WD" (Warm Dimming) or "CT" (Color Tuning) light engines Consult trims specification sheets for complete details.</p> <p>WD (Warm Dimming)</p> <p><u>One driver available in one performance (12,5W) and offering one dimming option:</u></p> <ul style="list-style-type: none"> • 0-10V (120V/277V) <p>Consult Lumenetix Website (www.lumenetix.com) and refer to the documentation for the DDM119 module for more information.</p>	<p>CT (Color Tuning)</p> <p><u>One driver available in one performance (12,5W) and offering different control options:</u></p> <ul style="list-style-type: none"> • DMX512-A: 4 channels - DIM (dim level) - CCT (correlated color temperature) - SAT (saturation level) - HUE (color) • 0-10V: One dimmer per channel (ex.: DIM and CCT) • "Araya 5" iOS App. (free): Allows programmation of up to 5 scenes. The App. can be used to override the cabled system. <p>Consult Lumenetix Website (www.lumenetix.com) and refer to the documentation for the CTM119 module for more information.</p>

CONTRASTE

SPECIFICATION SHEET

ISA3R-ISA3S

3-1/2" Series - Ardito

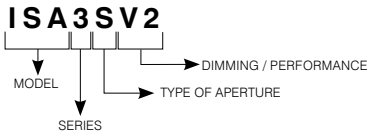
Insulated Housing



SPECIFICATIONS (CONT'D)

COMPATIBLE TRIMS	ISA3R (round aperture)			ISA3S (square aperture)			MINIMUM REQUIREMENTS CEILING THICKNESS
	Performance 1 (14W)	Performance 2 (23W)	Performance L (12,5W)	Performance 1 (14W)	Performance 2 (23W)	Performance L (12,5W)	
	A3RAF	A3RAF	A3RAF	*A3SAR	*A3SAR	***A3SAR	*1/4" (6 mm) if using Performance L
	*A3RAR	*A3RAR	***A3RAR	*A3SFR	*A3SFR	***A3SFR	** 1/2" (13 mm) if using Performance L
	*A3RFD	*A3RFD	***A3RFD	*A3SSF	*A3SSF	****A3SFW	*** 1/4" (6 mm) if using Performance 1 and 2 3/4" (19 mm) if using Performance L
	*A3RFR	*A3RFR	***A3RFR	**A3SFW	**A3SFW		
	*A3RSF	*A3RSF	****A3RWW				**** 1/2" (13 mm) if using Performance 1 and 2 1" (25 mm) if using Performance L
	**A3RWW	**A3RWW					
CERTIFICATION	cULus E343977 for damp locations and wet locations with the shower trims						
WARRANTY	5 years on LED driver						

CODIFICATION EXAMPLE



ORDERING CODES

MODEL	SERIES	TYPE OF APERTURE	DIMMING / PERFORMANCE	COMPLIANCE OPTION
ISA	3			
ISA Ardito Insulated Housing	3 3-1/2" Series	R Round S Square	V1 14W (1,300 lumens) 120V/277V 0-10V ELV (120V only) V2 23W (1,900 lumens) 120V/277V 0-10V ELV (120V only) VL 12.5W (700 lumens) 120V/277V To be used with "WD" or "CT" light engines WD: Warm Dimming CT: Color Tuning	X Standard Chicago Plenum
→ For more details, see page 2 (Driver (options))				

CONTRASTE

ISA3R-ISA3S

3-1/2" Series - Ardito


Insulated Housing



MUD-IN-PLATE OPTION

Required with the use of a flangeless trim (see installation instructions for more details)

ROUND

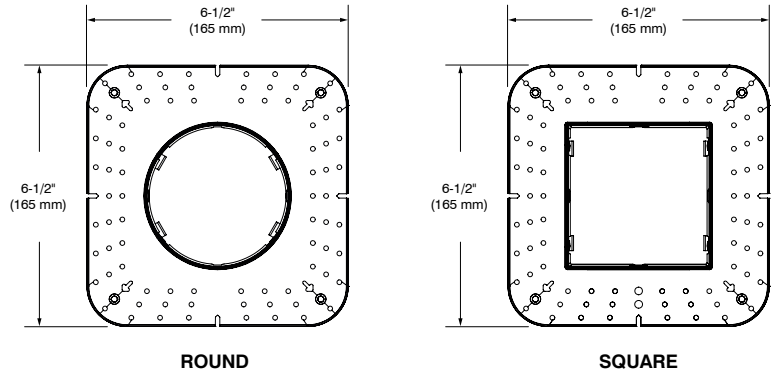
 \varnothing 3-3/4" (95 mm)

Code: MIPA3R

SQUARE

 3-3/4" (95 mm) x 3-3/4" (95 mm)

Code: MIPA3S



REUSABLE TEMPLATE OPTION

Reusable steel cutout template for square trim

Code: TEMP-SQ

