

INT20PR

4" Series

Project	
Notes	
Fixture Type	
Date	

Ultra-Thin Profile Round Fixed Regressed Trim with Pinhole Aperture

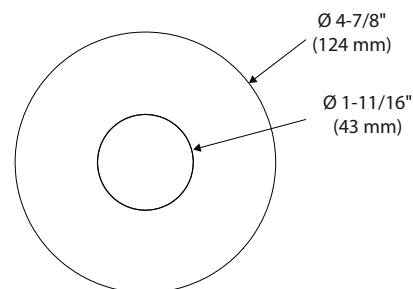
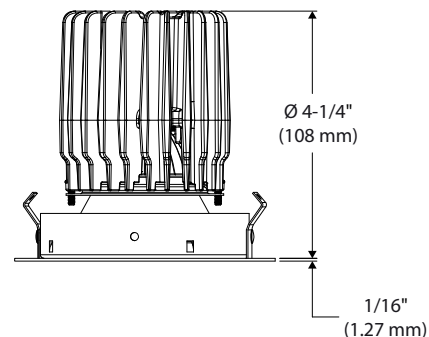
SPECIFICATIONS

COLOR TEMPERATURE	2,700K / 3,000K / 3,500K / 4,000K		
CRI	90 +		
POWER SUPPLY	Several driver models available giving you 3 dimming options: ELV, 0-10V or Pulse Width Modulation (PWM).		
LED MODULE	Bridgelux Vero 18, delivers a lumen maintenance greater than 70% after 50,000 hours of operation (L ₇₀). Provides a high quality true color and a clean white light without hot spots. Binning within 3 steps on MacAdam ellipse. Surpasses ANSI binning requirements.		
HOT LUMENS (Determined by the choice of housing)	Performance 1: 600 lumens Performance 2: 1,000 lumens		
TRIM	Powder coated paint or plated die-formed steel.		
OPTIC SYSTEM	Protection lens covered with a high-performance film 98% effective. Lens of 1/8" (3 mm) thick and 1.9" (49 mm) Ø. Lens: Clear Optical Reflector: M: Narrow Flood → 35°		
HEAT SINK	High quality aluminum injected heat sink ensuring maximum heat dissipation.		
REFLECTOR	Painted Black (02)		
CEILING CUTOUT	Ø 4-1/4" (108 mm)		
COMPATIBLE HOUSINGS		Remodel Housing	New Construction Housing
(Trims work with either performance 1 and 2 housings.)	Performance 1 (600 lumens)	Not Available	NWLD200LE1 NWLD200LD1 NWLD200LA1
	Performance 2 (1,000 lumens)	Not Available	NWLD200LE2 NWLD200LD2 NWLD200LA2
		Insulated Housing	Not Available
			Not Available
CERTIFICATION	cULus E343977 for damp locations		
WARRANTY	1 year for standard finishes and 5 years on LED module.		

For dimming, please consult frequently our Web site to find our dimmer compatibility list:
www.contrastlighting.com



INT20PR-12BR
(illustrated)



CONTRASTE

1009, rue du Parc Industriel
Lévis (Québec) G6Z 1C5 Canada

© 2017 Contrast Lighting M.L. Inc.
All rights reserved

Tel.: 1-888-839-4624
Fax.: 1-877-839-7057
info@contrastlighting.com

Contrast Lighting reserves the right to make changes in specifications and/or to discontinue any product at any time without notice or obligation and will not be liable for any consequences resulting from the use of this publication.

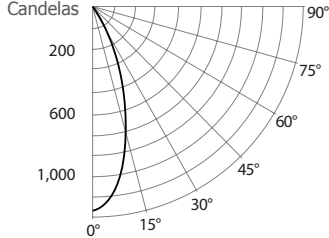
INT20PR

4" Series

PHOTOMETRIC DATA

3,000K, 90 + of CRI, Narrow Flood with Performance 1 Housing

CANDLEPOWER DISTRIBUTION



LIGHT CONE

Distance	FC	DIA
06'	32.4	3.4
08'	18.2	4.6
10'	11.7	5.7
12'	8.1	6.9
14'	5.9	8.0
16'	4.6	9.2

Beam: 32°
Beam Edge defined as 50% of Maximum Nadir Candle-power.

LUMINAIRE

Performance 1 LED	3,000K	Narrow Flood
CBCP / Lumens	1,165	/ 446.7
Watts	120V	277V
	16W	16.5W
Operating AMPS	0.13A	0.059A
Lumen Maintenance	L70 @ 50,000 Hrs	
CRI	+ 90	
Lumens/Watt	27.9	
Spacing Criteria	0.55	

COEFFICIENT OF UTILIZATION - %

Ceiling Reflect %	80			50			30		
Wall Reflect %	50	30	50	30	50	30	50	30	
RCR	0	119	119	111	111	106	106	106	
	2	100	96	95	92	92	89	89	
	4	89	83	86	81	83	80	80	
	6	81	75	78	74	77	73	73	
	8	74	69	72	68	71	67	67	
	10	69	64	67	63	67	63	63	

Zonal Cavity Method
Effective Floor Cavity Reflectance 20%

ZONAL LUMEN SUMMARY

ZONE	LUMENS	%LUMINAIRE
0-30	350.8	78.5%
0-40	366.4	82%
0-60	395.1	88.4%
60-90	47.8	10.7%
0-180	446.7	100%

MULTIPLE UNIT DATA - (RCR 2)

SPACING ON CENTER	INITIAL FOOTCANDLES	WATTS/SQ. FT.
5'	21	0.71
6'	12	0.4
7'	8	0.28
8'	8	0.28
9'	5	0.18

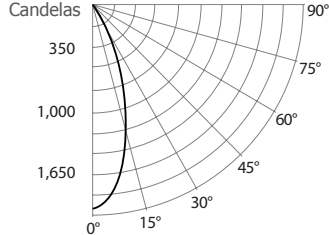
Local 38' x 38' x 10'. Workplan located 2-1/2' (30°).
Reflection factor of 80%/50%/30%.

CANDELAS DISTRIBUTION

DEGREES/VERTICAL	CANDELAS	DEGREES/VERTICAL	CANDELAS
0	1,165	45	20
5	1,086	55	16
10	901	65	15
15	653	75	17
20	369	85	16
25	141	90	14
35	23		

3,000K, 90 + of CRI, Narrow Flood with Performance 2 Housing

CANDLEPOWER DISTRIBUTION



LIGHT CONE

Distance	FC	DIA
06'	53.4	3.6
08'	30.1	4.8
10'	19.2	6.0
12'	13.4	7.2
14'	9.8	8.3
16'	7.5	9.5

Beam: 33°
Beam Edge defined as 50% of Maximum Nadir Candle-power.

LUMINAIRE

Performance 2 LED	3,000K	Narrow Flood
CBCP / Lumens	1,924	/ 740.5
Watts	120V	277V
	23W	23.5W
Operating AMPS	0.19A	0.084A
Lumen Maintenance	L70 @ 50,000 Hrs	
CRI	90 +	
Lumens/Watt	32.2	
Spacing Criteria	0.57	

COEFFICIENT OF UTILIZATION - %

Ceiling Reflect %	80			50			30		
Wall Reflect %	50	30	50	30	50	30	50	30	
RCR	0	120	120	112	112	107	107	107	
	2	101	96	95	92	92	89	89	
	4	89	83	85	81	83	79	79	
	6	81	75	78	73	77	72	72	
	8	74	68	72	67	71	67	67	
	10	69	63	67	63	66	62	62	

Zonal Cavity Method
Effective Floor Cavity Reflectance 20%

ZONAL LUMEN SUMMARY

ZONE	LUMENS	%LUMINAIRE
0-30	568.5	77.7%
0-40	592.7	80%
0-60	642.6	86.8%
60-90	90.7	0.40%
0-180	740.5	100%

MULTIPLE UNIT DATA - (RCR 2)

SPACING ON CENTER	INITIAL FOOTCANDLES	WATTS/SQ. FT.
5'	34	1.08
6'	19	0.61
7'	13	0.42
8'	13	0.42
9'	9	0.27

Local 38' x 38' x 10'. Workplan located 2-1/2' (30°).
Reflection factor of 80%/50%/30%.

CANDELAS DISTRIBUTION

DEGREES/VERTICAL	CANDELAS	DEGREES/VERTICAL	CANDELAS
0	1,924	45	31
5	1,788	55	29
10	1,505	65	30
15	1,114	75	30
20	640	85	29
25	253	90	26
35	35		



CONTRASTE

1009, rue du Parc Industriel
Lévis (Québec) G6Z 1C5 Canada

© 2017 Contrast Lighting M.L. Inc.
All rights reserved

Tel.: 1-888-839-4624
Fax.: 1-877-839-7057

info@contrastlighting.com

Contrast Lighting reserves the right to make changes in specifications and/or to discontinue any product at any time without notice or obligation and will not be liable for any consequences resulting from the use of this publication.

INT20PR

4" Series

INT20PR MODEL PHOTOMETRIC DATA

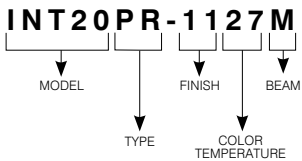
With performance 1 housing

	Narrow Flood	
2,700K with 90 CRI	442 Lms	26 lm/W
3,000K with 90 CRI	445 Lms	28 lm/W
3,500K with 90 CRI	472 Lms	30 lm/W
4,000K with 90 CRI	480 Lms	30 lm/W

With performance 2 housing

	Narrow Flood	
2,700K with 90 CRI	681 Lms	30 lm/W
3,000K with 90 CRI	718 Lms	31 lm/W
3,500K with 90 CRI	761 Lms	33 lm/W
4,000K with 90 CRI	775 Lms	34 lm/W

CODIFICATION EXAMPLE



ORDERING CODE

MODEL	TYPE	TRIM FINISH	COLOR TEMPERATURE	BEAM
INT20	PR			M
INT20 Intermezzo Round	PR Fixed Pinhole	-11 Matte White -12BR Brushed Nickel -22 Matte Black	27 2,700K 30 3,000K 35 3,500K 40 4,000K	M Narrow Flood (35°)



CONTRASTE