

ICAT6R4 - ICAT6S4

4" Series - Ardito

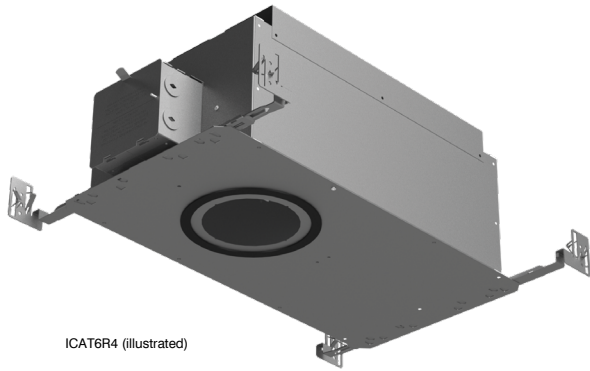
IC Air Tight Housing

Project _____

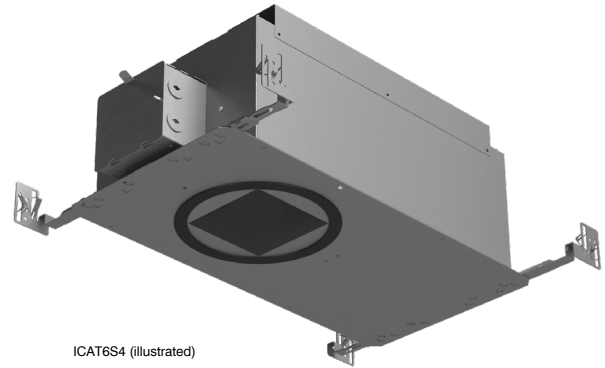
Notes _____

Fixture type _____

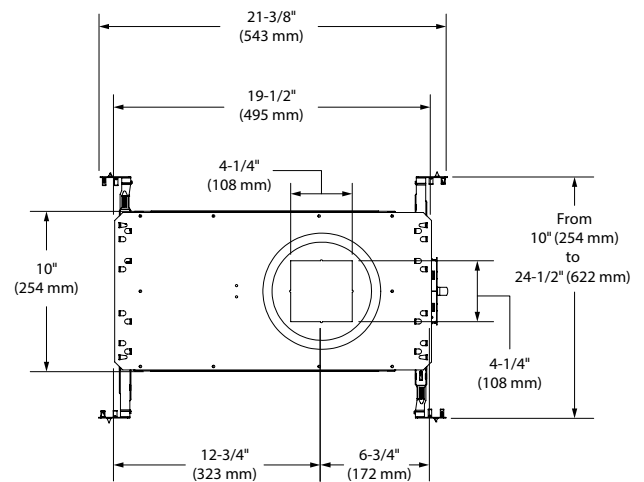
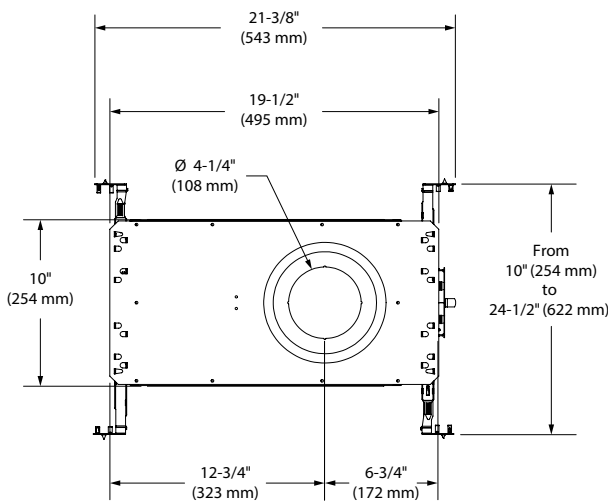
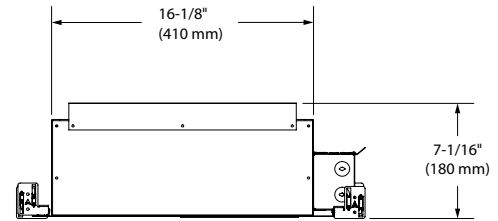
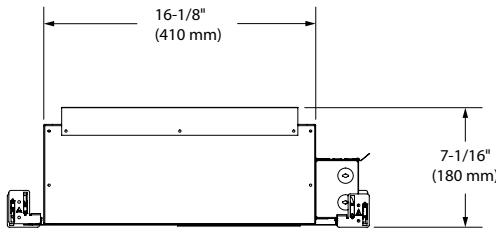
Date _____



ICAT6R4 (illustrated)



ICAT6S4 (illustrated)



CONTRASTE

2018-03
Revision 1

PRINTED IN CANADA

1009, rue du Parc Industriel
Lévis (Québec) G6Z 1C5 Canada
Tel.: 1-888-839-4624
Fax.: 1-877-839-7057
contrastelighting.com
info@contrastelighting.com

© 2018 Contraste Lighting M.L. Inc.
All rights reserved

Contrast Lighting M.L. Inc. reserves the right to make changes in specifications and/or to discontinue any product at any time without notice or obligation and will not be liable for any consequences resulting from the use of this publication.

SPECIFICATION SHEET

ICAT6R4 - ICAT6S4

4" Series - Ardito

IC Air Tight Housing



SPECIFICATIONS

| | | | | |
|--------------------------------|-------------------------------------------------------------------------------------------------------------------------------------------------------------------------------------------------------------------------------------------------------------------------------------------------------------------------------------------------------------------------------------------------------------------------------------------------------------------------------------------------------------------------------------------------------------------------------------------------------------------------------------------------------------------------------------|----------|----------------------------------|----------|
| HOUSING DETAILS | Galvanized steel and aluminum housing to optimize heat dissipation, of a thickness up to 18 gauge (0,051" / 1,3 mm). 33-1/2 in ³ junction box can support up to 10 - 14 gauge wires or 8 - 12 gauge wires (90° wires). Below-ceiling accessible. Can be installed in insulated ceilings, except polyurethane. | | | |
| MOUNTING AND SUPPORT | <p>Round Cutout: ø 4-1/4" (108 mm) Square Cutout: 4-1/4" (108 mm) x 4-1/4" (108 mm)</p> <p>Mud-in-Plate: Required with the use of flangeless trim (MIPA4R, MIP4S)</p> <p>Optional: Reusable steel cutout template for square trim (TEMP-SQ) Perfect fit to ceiling. Can fit in ceiling up to 1-1/2" (38 mm) thick Minimal thickness determined by the choice of the trim (Consult trim specification sheet for minimum thickness requirement). Mounting bars extend from 10" (254 mm) to 24-1/2" (622 mm) to fit in most ceiling structures.</p> | | | |
| PERFORMANCE | <p>Performance 1: 1,450 lumens (14W) Performance 2: 2,050 lumens (23W) Consult trim specification sheets for complete details</p> | | | |
| POWER SUPPLY | 120V - 277V | | | |
| DIMMING | 2 types of dimming offered all within the same unit: <ul style="list-style-type: none"> • Electronic Low Voltage (ELV) (120V only) • 0-10V (120V/277V) Due to constant evolution of dimmers, we must test them regularly. We invite you to consult frequently our Web site to find our suggested compatible dimmers list: www.contrastlighting.com | | | |
| COMPATIBLE TRIMS | ICAT0R4 (round aperture) | | ICAT0S4 (square aperture) | |
| JA8 CERTIFIED (CEC) | Performance 1 (14W) | | Performance 2 (23W) | |
| | A4RAF | A4RAF-TR | A4RAF | A4RAF-TR |
| | A4RAR | A4RAR-TR | A4RAR | A4RAR-TR |
| | A4RFR | A4RFR-TR | A4RFR | A4RFR-TR |
| | A4RSF | A4RSF-TR | A4RSF | A4RSF-TR |
| COMPATIBLE TRIMS | ICAT0R4 (round aperture) | | ICAT0S4 (square aperture) | |
| | Performance 1 (14W) | | Performance 2 (23W) | |
| | A4RWW | A4RWW-TR | A4RWW | A4RWW-TR |
| CERTIFICATION | <ul style="list-style-type: none"> • cULus E343977 for damp locations and wet locations with the shower trims • Air Tight tested in accordance with ASTM-E283 • CALIFORNIA TITLE 24 (JA8-2016) | | | |
| WARRANTY | 5 years on LED driver | | | |

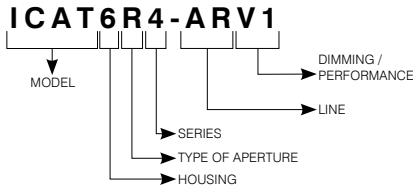
ICAT6R4 - ICAT6S4

4" Series - Ardito

IC Air Tight Housing



CODIFICATION EXAMPLE



ORDERING CODES

| MODEL | HOUSING | TYPE OF APERTURE | SERIES | LINE | DIMMING / PERFORMANCE |
|-----------------------------------------|--------------------------------------|-----------------------------------|--------------------|------------------|--------------------------------------------------------------------------------------------------------------------------------------------------------------------------------------------|
| ICAT | 6 | | 4 | AR | |
| ICAT Insulated Housing Air Tight | 6 16" x 10" (410 mm x 254 mm) | R Round S Square | 4 4" Series | AR Ardito | V1 14W (1,450 lumens) 120V/277V 0-10V JAB ELV (120V only) V2 23W (2,050 lumens) 120V/277V 0-10V JAB ELV (120V only) |

MUD-IN-PLATE OPTION

Required with the use of flangeless trims.
(see installation instructions sheet for more details)

ROUND

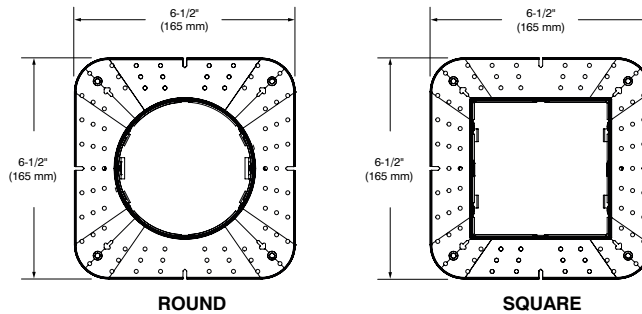
\varnothing 4-1/4" (108 mm)

Code: MIPA4R

SQUARE

4-1/4" (108 mm) x 4-1/4" (108 mm)

Code: MIPA4S



REUSABLE TEMPLATE OPTION

Reusable steel cutout template for square trim

Code: TEMP-SQ

