

ICAT6R3 - ICAT6S3

3-1/2" Series - Ardito

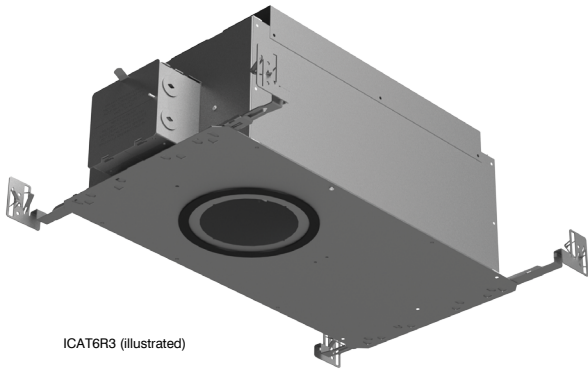
IC Air Tight Housing

Project _____

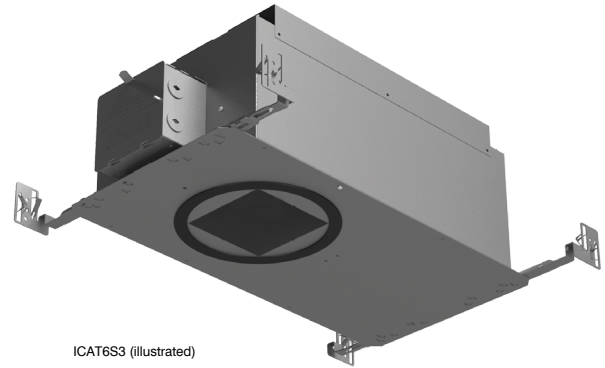
Notes _____

Fixture type _____

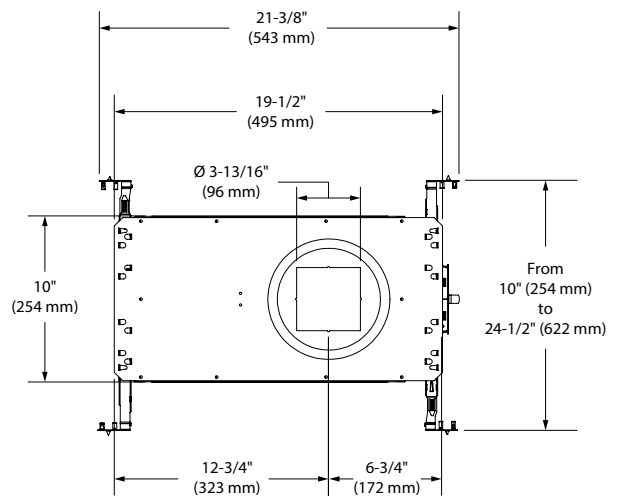
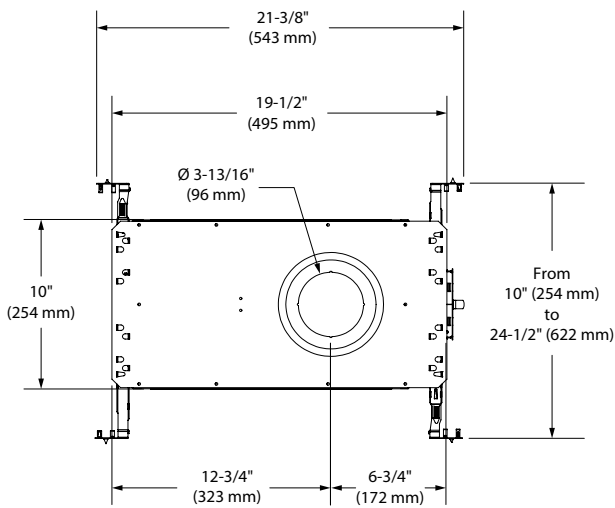
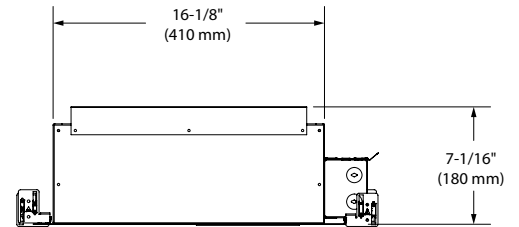
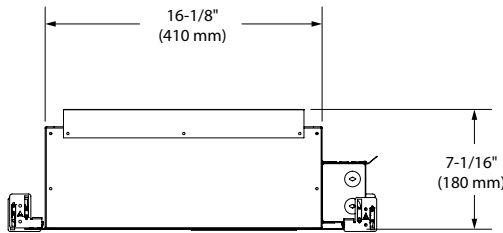
Date _____



ICAT6R3 (illustrated)



ICAT6S3 (illustrated)



CONTRASTE

1009, rue du Parc Industriel
Lévis (Québec) G6Z 1C5 Canada
Tel.: 1-888-839-4624
Fax.: 1-877-839-7057
contrastlighting.com
info@contrastlighting.com

© 2017 Contrast Lighting M.L. Inc.
All rights reserved

Contrast Lighting M.L. Inc. reserves the right to make changes in specifications and/or to discontinue any product at any time without notice or obligation and will not be liable for any consequences resulting from the use of this publication.

ICAT6R3 - ICAT6S3

3-1/2" Series - Ardito

IC Air Tight Housing



SPECIFICATIONS

HOUSING	Galvanized steel and aluminum housing to optimize heat dissipation, of a thickness up to 18 gauge (0,051" / 1,3 mm).
DETAILS	33-1/2 in ³ junction box can support up to 10 - 14 gauge wires or 8 - 12 gauge wires (90° wires). Below-ceiling accessible. Can be installed in insulated ceilings, except polyurethane.

MOUNTING AND SUPPORT	Round Cutout: ø 3-3/16" (81 mm)
	Square Cutout: 3-3/16" (81 mm) x 3-3/16" (81 mm)
	Perfect fit to ceiling. Can fit in ceiling from 3/8" (10 mm) to 1-1/2" (38 mm) thick. Mounting bars extend from 10" (254 mm) to 24-1/2" (622 mm) to fit in most ceiling structures.

PERFORMANCE	Performance 1: Up to 1,300 lumens (14W) Performance 2: Up to 1,900 lumens (23W)
-------------	--

POWER SUPPLY	120V - 277V
--------------	-------------

DIMMING	2 types of dimming offered all within the same unit: <ul style="list-style-type: none"> • Electronic Low Voltage (ELV) (120V only) • 0-10V (120V/277V) Due to constant evolution of dimmers, we must test them regularly. We invite you to consult frequently our Web site to find our suggested compatible dimmers list: www.contrastlighting.com
---------	---

	ICAT0R4 (round aperture)				ICAT0S3 (square aperture)			
	Performance 1 (14W)		Performance 2 (23W)		Performance 1 (14W)		Performance 2 (23W)	
COMPATIBLE TRIMS	A3RAF	A3RAF-TR	A3RAF	A3RAF-TR	A3SAR	A3SAR-TR	A3SAR	A3SAR-TR
	A3RAR	A3RAR-TR	A3RAR	A3RAR-TR	A3SFR	A3SFR-TR	A3SFR	A3SFR-TR
	A3RFD	A3RFD-TR	A3RFD	A3RFD-TR	A3SSF	A3SSF-TR	A3SSF	A3SSF-TR
	A3RFR	A3RFR-TR	A3RFR	A3RFR-TR	A3SWW	A3SWW-TR	A3SWW	A3SWW-TR
	A3RSF	A3RSF-TR	A3RSF	A3RSF-TR				
	A3RWW	A3RWW-TR	A3RWW	A3RWW-TR				

CERTIFICATION	<ul style="list-style-type: none"> • cULus E343977 for damp locations • Air Tight tested in accordance with ASTM-E283
---------------	--

WARRANTY	5 years on LED driver
----------	-----------------------

CONTRASTE

1009, rue du Parc Industriel
Lévis (Québec) G6Z 1C5 Canada
Tel.: 1-888-839-4624
Fax.: 1-877-839-7057
contrastlighting.com
info@contrastlighting.com

© 2017 Contrast Lighting M.L. Inc.
All rights reserved

Contrast Lighting M.L. Inc. reserves the right to make changes in specifications and/or to discontinue any product at any time without notice or obligation and will not be liable for any consequences resulting from the use of this publication.

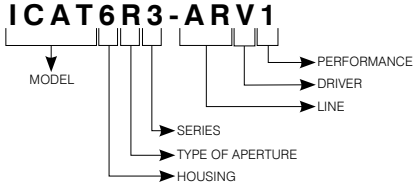
ICAT6R3 - ICAT6S3

3-1/2" Series - Ardito

IC Air Tight Housing



CODIFICATION EXAMPLE



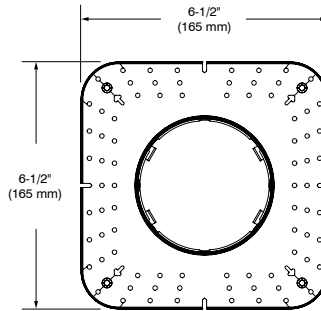
ORDERING CODES

MODEL	HOUSING	TYPE OF APERTURE	SERIES	LINE	DRIVER	PERFORMANCE
ICAT	6		3	AR	V	
ICAT Insulated Housing Air Tight	6 16" x 10" (410 mm x 254 mm)	R Round S Square	3 3-1/2" Series	AR Ardito	V ELV (120V) 0-10V (120V) 0-10V (277V)	1 14W (1,300 lumens) 2 23W (1,900 lumens)

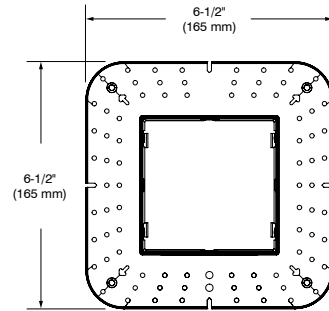
MUD-IN-PLATE OPTION

Required with the use of flangeless trims.
(see trim specification sheet for more details)

Code: **MIPA3R** (round)
MIPA3S (square)



ROUND



SQUARE

REUSABLE TEMPLATE OPTION

Reusable steel cutout template for square trim

Code: **TEMP-SQ**

