

# ICAT6R3 - ICAT6S3

3-1/2" Series - Ardito

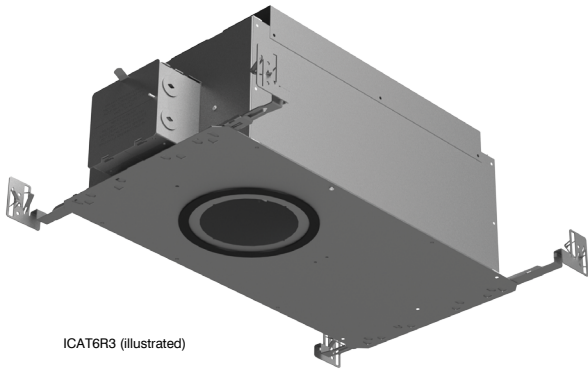
IC Air Tight Housing

Project \_\_\_\_\_

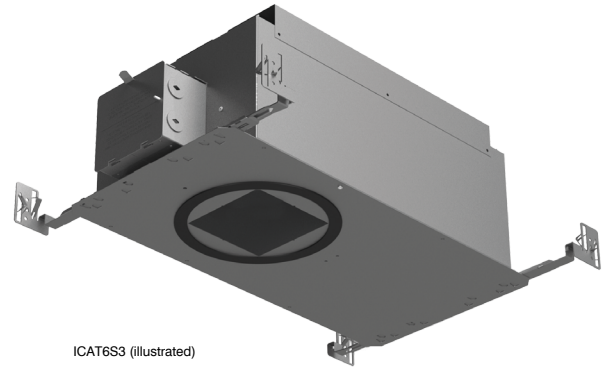
Notes \_\_\_\_\_

Fixture type \_\_\_\_\_

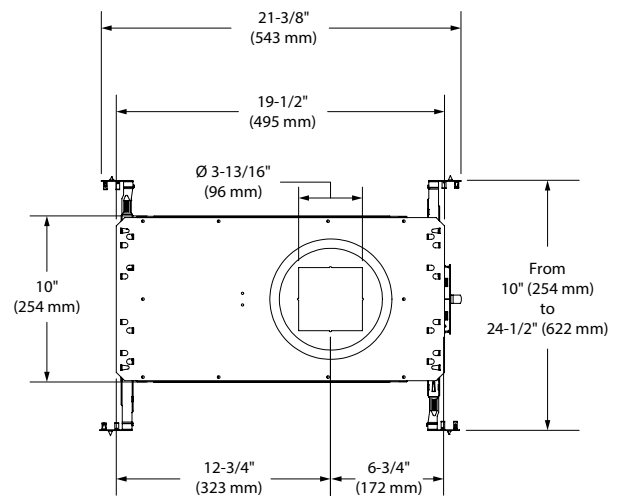
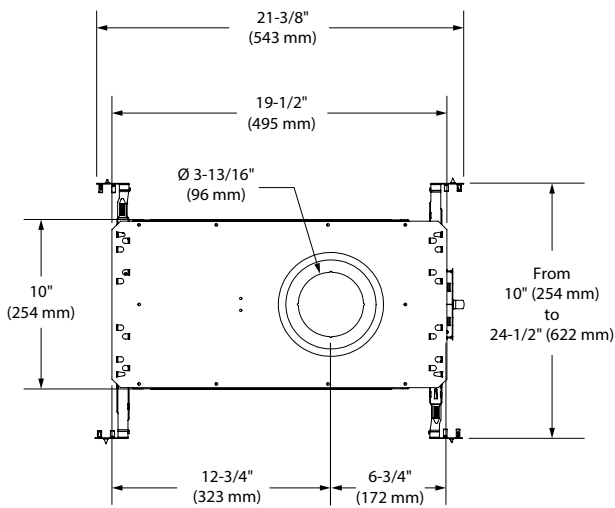
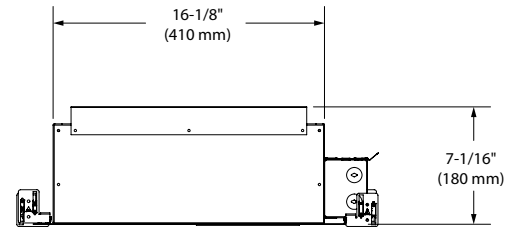
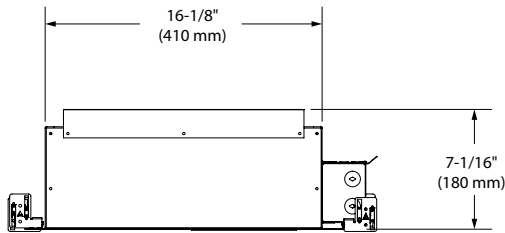
Date \_\_\_\_\_



ICAT6R3 (illustrated)



ICAT6S3 (illustrated)



# CONTRASTE

1009, rue du Parc Industriel  
Lévis (Québec) G6Z 1C5 Canada  
Tel.: 1-888-839-4624  
Fax.: 1-877-839-7057  
contrastlighting.com  
info@contrastlighting.com

© 2017 Contrast Lighting M.L. Inc.  
All rights reserved

Contrast Lighting M.L. Inc. reserves the right to make changes in specifications and/or to discontinue any product at any time without notice or obligation and will not be liable for any consequences resulting from the use of this publication.

# ICAT6R3 - ICAT6S3

3-1/2" Series - Ardito

IC Air Tight Housing



## SPECIFICATIONS

HOUSING DETAILS	Galvanized steel and aluminum housing to optimize heat dissipation, of a thickness up to 18 gauge (0,051" / 1,3 mm). 33-1/2 in <sup>3</sup> junction box can support up to 10 - 14 gauge wires or 8 - 12 gauge wires (90° wires). Below-ceiling accessible. Can be installed in insulated ceilings, except polyurethane.			
MOUNTING AND SUPPORT	<p><b>Round Cutout: ø 3-3/16" (81 mm)</b> <b>Square Cutout: 3-3/16" (81 mm) x 3-3/16" (81 mm)</b></p> <p>Perfect fit to ceiling. Can fit in ceiling from 3/8" (10 mm) to 1-1/2" (38 mm) thick. Mounting bars extend from 10" (254 mm) to 24-1/2" (622 mm) to fit in most ceiling structures.</p>			
PERFORMANCE	<p><b>Performance 1:</b> Up to 1,300 lumens (14W) <b>Performance 2:</b> Up to 1,900 lumens (23W)</p>			
POWER SUPPLY	120V - 277V			
DIMMING	<p>2 types of dimming offered all within the same unit:</p> <ul style="list-style-type: none"> <li>• Electronic Low Voltage (ELV) (120V only)</li> <li>• 0-10V (120V/277V)</li> </ul> <p>Due to constant evolution of dimmers, we must test them regularly. We invite you to consult frequently our Web site to find our suggested compatible dimmers list: <a href="http://www.contrastlighting.com">www.contrastlighting.com</a></p>			
COMPATIBLE TRIMS	<b>ICAT0R4</b> (round aperture)		<b>ICAT0S3</b> (square aperture)	
	<b>Performance 1 (14W)</b>		<b>Performance 1 (14W)</b>	
	<b>Performance 2 (23W)</b>		<b>Performance 2 (23W)</b>	
	A3RAF	A3RAF-TR	A3RAF	A3RAF-TR
	A3RAR	A3RAR-TR	A3RAR	A3RAR-TR
	A3RFD	A3RFD-TR	A3RFD	A3RFD-TR
	A3RFR	A3RFR-TR	A3RFR	A3RFR-TR
	A3RSF	A3RSF-TR	A3RSF	A3RSF-TR
A3RWW	A3RWW-TR	A3RWW	A3RWW-TR	
CERTIFICATION	<ul style="list-style-type: none"> <li>• cULus <b>E343977</b> for damp locations</li> <li>• Air Tight tested in accordance with ASTM-E283</li> </ul>			
WARRANTY	5 years on LED driver			

# CONTRASTE

1009, rue du Parc Industriel  
Lévis (Québec) G6Z 1C5 Canada  
Tel.: 1-888-839-4624  
Fax.: 1-877-839-7057  
contrastlighting.com  
info@contrastlighting.com

© 2017 Contrast Lighting M.L. Inc.  
All rights reserved

Contrast Lighting M.L. Inc. reserves the right to make changes in specifications and/or to discontinue any product at any time without notice or obligation and will not be liable for any consequences resulting from the use of this publication.

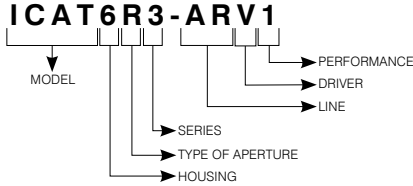
# ICAT6R3 - ICAT6S3

3-1/2" Series - Ardito

IC Air Tight Housing



CODIFICATION EXAMPLE



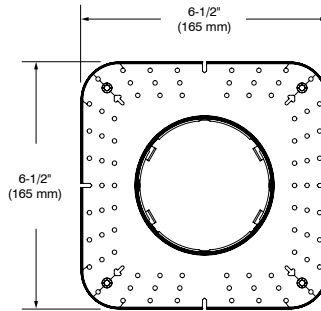
ORDERING CODES

MODEL	HOUSING	TYPE OF APERTURE	SERIES	LINE	DRIVER	PERFORMANCE
<b>ICAT</b>	<b>6</b>		<b>3</b>	<b>AR</b>	<b>V</b>	
<b>ICAT</b> Insulated Housing Air Tight	<b>6</b> 16" x 10" (410 mm x 254 mm)	<b>R</b> Round <b>S</b> Square	<b>3</b> 3-1/2" Series	<b>AR</b> Ardito	<b>V</b> ELV (120V) 0-10V (120V) 0-10V (277V)	<b>1</b> 14W (1,300 lumens) <b>2</b> 23W (1,900 lumens)

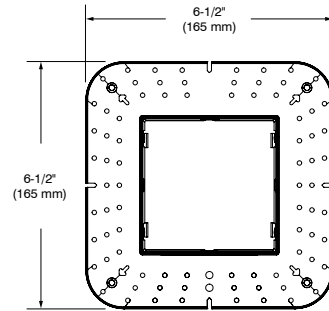
MUD-IN-PLATE OPTION

Required with the use of flangeless trims.  
(see trim specification sheet for more details)

Code: **MIPA3R** (round)  
**MIPA3S** (square)



ROUND



SQUARE

REUSABLE TEMPLATE OPTION

Reusable steel cutout template for square trim

Code: **TEMP-SQ**

