







SPECIFICATION SHEET

6" COMPACT FLUORESCENT SERIES

FR6VOG

OPEN REFLECTOR TRIM WITH DECORATIVE GLASS FOR VERTICAL LAMP

 YES	 E175084												
Damp Location													
 13W à 42W	<table border="0"> <tr> <td>13W : G24q-1</td> <td>4 PIN DTT</td> <td>26W : GX24q-3</td> <td>4 PIN TTT</td> </tr> <tr> <td>18W : G24q-2</td> <td>4 PIN DTT</td> <td>32W : GX24q-3</td> <td>4 PIN TTT</td> </tr> <tr> <td>26W : G24q-3</td> <td>4 PIN DTT</td> <td>42W : GX24q-4</td> <td>4 PIN TTT</td> </tr> </table>	13W : G24q-1	4 PIN DTT	26W : GX24q-3	4 PIN TTT	18W : G24q-2	4 PIN DTT	32W : GX24q-3	4 PIN TTT	26W : G24q-3	4 PIN DTT	42W : GX24q-4	4 PIN TTT
13W : G24q-1	4 PIN DTT	26W : GX24q-3	4 PIN TTT										
18W : G24q-2	4 PIN DTT	32W : GX24q-3	4 PIN TTT										
26W : G24q-3	4 PIN DTT	42W : GX24q-4	4 PIN TTT										
 Standard : Semi-specular low iridescence													
Reflectors													
 New construction housing NWF6VU13, 18, 42													
 Remodel housing F6VU13, 18, 42													

Codification

Ex: FR6VOG-01FUR00

MODEL	FINISHES	GLASS COLOR	GLASS TEXTURE	GLASS LENGHT
FR6VOG	-01	FUR		00
* -01	WHITE	FUR Furia	Exception: There is no texture to specify for Furia and India glass.	00 Flush (0")
* -02	BLACK	IND India		03 3" of the trim
* -03	24K GOLD	B Cobalt Blue		05 5" of the trim
* -04	CHROME	M Amber		07 7" of the trim
* -04BR	BRUSHED CHROME	R Red		
* -05	ARCHITECTURAL BRONZE	A Eggplant		FF Frosted int./ext.
* -06	ANTIQUÉ COPPER	W White		C Clear
* -07	ANTIQUÉ BRASS	CAR Caramel		
* -08	ANTIQUÉ SILVER	SUN Sunset		
* -11	MATTE WHITE			
* -12BR	BRUSHED NICKEL			
* -13	SATIN NICKEL			
* -14	ALMOND			

* Unless otherwise indicated, trims are for interior use only. For exterior use and up to wet conditions, **MARINE GRADE** treatment is recommended. Available for finishes -01, -02, -05, -06, -11 and -14 only.

COMPATIBLE HOUSINGS

13W CF	18W CF	26W CF / 32W CF / 42W CF
F6VU13 NWF6VU13	F6VU18 NWF6VU18	F6VU42 NWF6VU42

Fig. 1.1

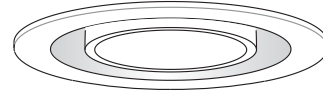


Fig. 1.2

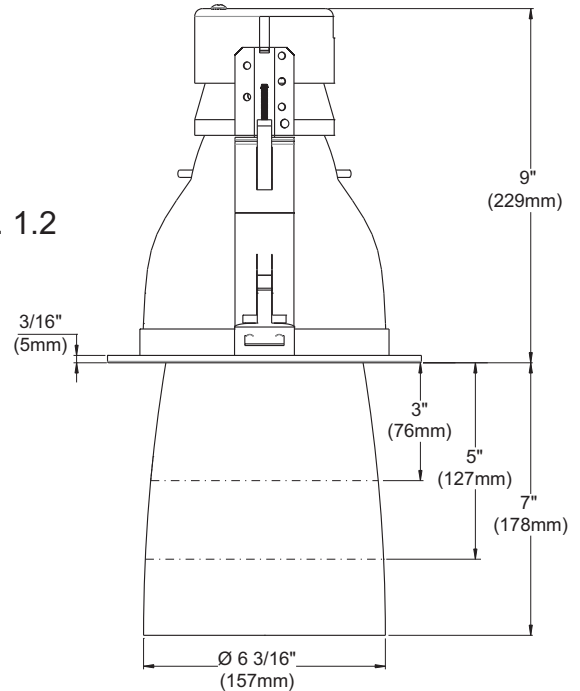
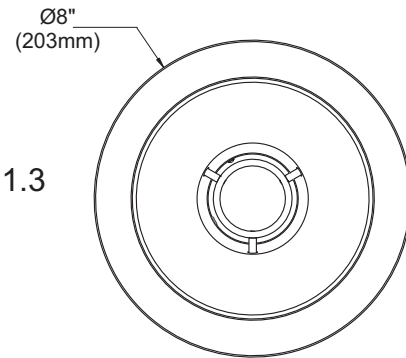


Fig. 1.3



Project _____

Representative _____