

ECO2REL300-277

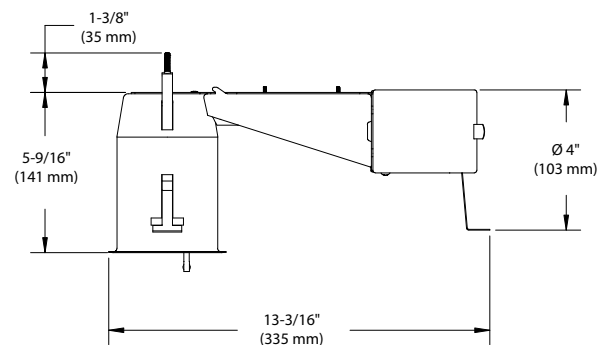
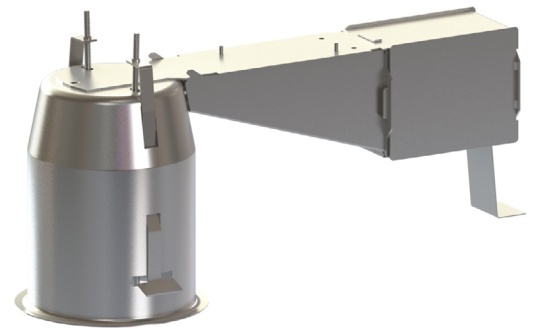
3-1/2" ECO²LED Series

Project	
Notes	
Fixture Type	
Date	

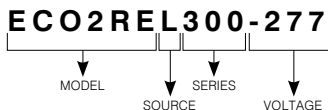
IC and Air Tight Remodel Housing

SPECIFICATIONS

HOUSING DETAILS	Up to 0,051" (1,3 mm) thick galvanized steel housing. Approved for installation in insulated ceilings and in direct contact with insulating material (except polyurethane). Junction box can support up to 10 x 14 gauge wires or 8 x 12 gauge wires. Below-ceiling accessible.
MOUNTING	Cutout diameter: Ø 3-5/8" (92 mm) Can fit ceilings up to 7/8" (22 mm) thick. Requires a 7" (178 mm) clearance beyond the ceiling level. Patented hook (PAT#CAN 2,088,648 and #USA 5,377,088) for ease of installation and a perfect fit to ceiling. No light leakage.
POWER	9W LED driver (11W power consumption)
VOLTAGE	110 to 277 Volts
DIMMING	No compatible dimming
COMPATIBLE TRIMS	ECO2L3A ECO2L3B ECO2L3C (Not certified Energy Star) ECO2L3D
CERTIFICATION	<ul style="list-style-type: none"> cULus E343977 for damp locations; wet with shower trim only. Title 24 ASTM E283 Certified Energy Star
WARRANTY	5 years on LED driver



CODIFICATION EXAMPLE



ORDERING CODE

MODEL	SOURCE	SERIES	VOLTAGE
ECO2RE	L	300	-277
ECO2RE Remodel	L LED	300 300 Series	-277 277V

