

# ECO2REL300-120D

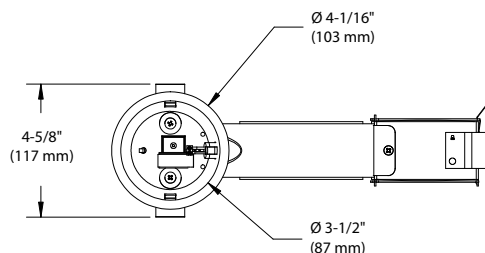
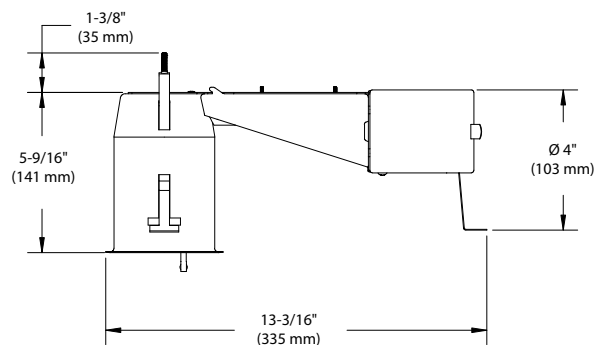
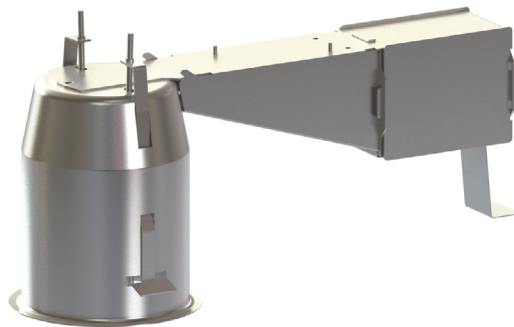
3-1/2" ECO<sup>2</sup>LED Series

Project	
Notes	
Fixture Type	
Date	

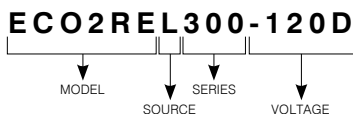
## IC and Air Tight Remodel Housing

### SPECIFICATIONS

HOUSING DETAILS	Up to 0,051" (1,3 mm) thick galvanized steel housing. Approved for installation in insulated ceilings and in direct contact with insulating material (except polyurethane). Junction box can support up to 10 x 14 gauge wires or 8 x 12 gauge wires. Below-ceiling accessible.
MOUNTING	<b>Cutout diameter: ø 3-5/8" (92 mm)</b> Can fit ceilings up to 7/8" (22 mm) thick. Requires a 7" (178 mm) clearance beyond the ceiling level. Patented hook (PAT#CAN 2,088,648 and #USA 5,377,088) for ease of installation and a perfect fit to ceiling. No light leakage.
POWER	9W LED driver (9W power consumption)
VOLTAGE	120 Volts
DIMMING	Compatible with Electronic Low Voltage (ELV) dimmers. Due to constant evolution of associated dimmers we must test them regularly. We invite you to consult frequently our Web site to find our suggested compatible dimmers list: <a href="http://www.contrastlighting.com">www.contrastlighting.com</a>
COMPATIBLE TRIMS	ECO2L3A ECO2L3B ECO2L3C (Not certified Energy Star) ECO2L3D
CERTIFICATION	<ul style="list-style-type: none"> <li>cULus <b>E343977</b> for damp locations; wet with shower trim only.</li> <li>Title 24</li> <li>ASTM E283</li> <li>Certified Energy Star</li> </ul>
WARRANTY	5 years on LED driver



### CODIFICATION EXAMPLE



### ORDERING CODE

MODEL	SOURCE	SERIES	VOLTAGE
<b>ECO2RE</b>	<b>L</b>	<b>300</b>	<b>-120D</b>
ECO2RE Remodel	L LED	300 300 Series	-120D 120V Compatible Dimming

