

# ECO2NWL200-277

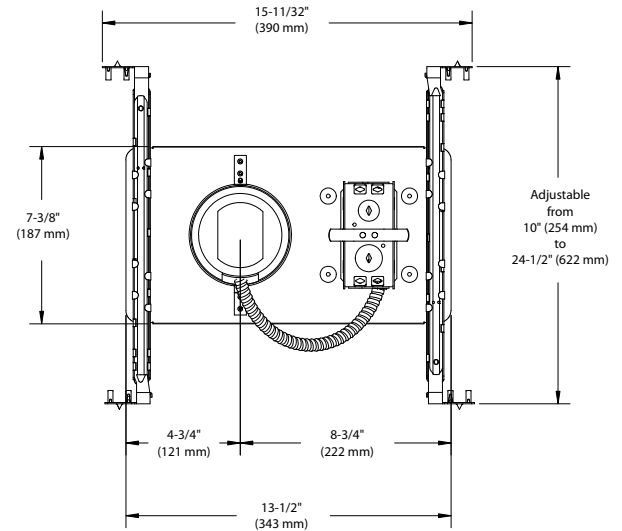
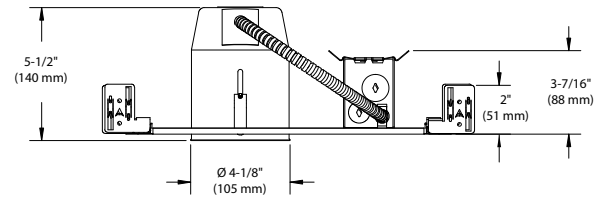
4" ECO<sup>2</sup>LED Series

## IC and Air Tight New Construction Housing

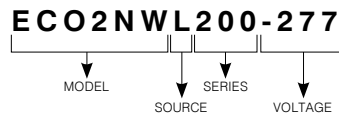
Project	
Notes	
Fixture Type	
Date	

### SPECIFICATIONS

HOUSING DETAILS	Up to 0.051" (1.3 mm) thick galvanized steel housing. Approved for installation in insulated ceilings and in direct contact with insulating material (except polyurethane). Junction box can support up to 10 x 14 gauge wires or 8 x 12 gauge wires. Below-ceiling accessible.
MOUNTING	<b>Cutout diameter: Ø 4-1/4" (108 mm)</b> Can fit ceilings up to 1-1/2" (38 mm) thick. Requires a 6" (152 mm) clearance beyond the ceiling level. Contrast hooks for ease of installation and a perfect fit to ceiling. Mounting bars extend from 10" (254 mm) to 24-1/2" (622 mm) to fit in most ceilings. No light leakage.
POWER	9W LED driver (11W power consumption)
VOLTAGE	110 to 277 Volts
DIMMING	No compatible dimming
COMPATIBLE TRIMS	ECO2L2A ECO2L2B ECO2L2C ECO2L2D
CERTIFICATION	<ul style="list-style-type: none"> <li>cULus <b>E343977</b> for damp locations; wet with shower trim only</li> <li>Title 24</li> <li>ASTM E283</li> </ul>
WARRANTY	5 years on LED driver



### CODIFICATION EXAMPLE



### ORDERING CODE

MODEL	SOURCE	SERIES	VOLTAGE
<b>ECO2NW</b>	<b>L</b>	<b>200</b>	<b>-277</b>
ECO2NW	New Construction	L LED 200 200 Series	-277 277V

