

# ECO2NWL200-120D

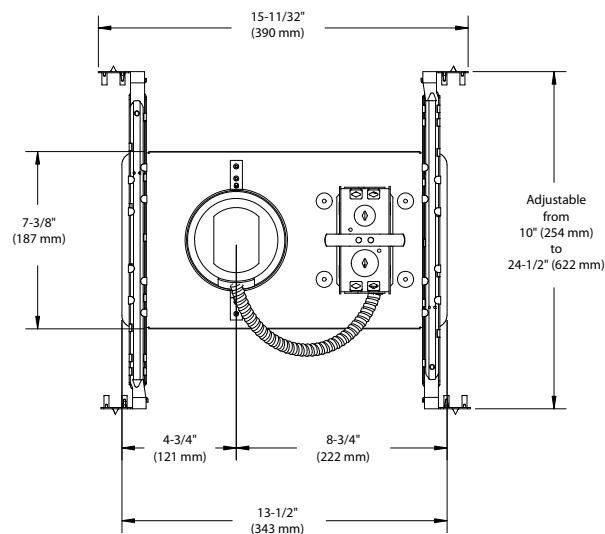
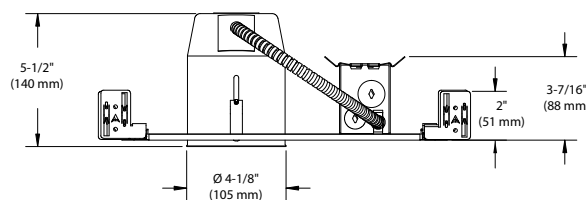
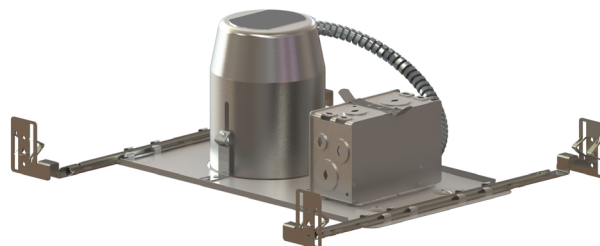
4" ECO<sup>2</sup>LED Series

Project \_\_\_\_\_  
 Notes \_\_\_\_\_  
 Fixture Type \_\_\_\_\_  
 Date \_\_\_\_\_

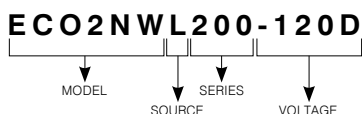
## IC and Air Tight New Construction Housing

### SPECIFICATIONS

HOUSING DETAILS	Up to 0.051" (1.3 mm) thick galvanized steel housing. Approved for installation in insulated ceilings and in direct contact with insulating material (except polyurethane). Junction box can support up to 10 x 14 gauge wires or 8 x 12 gauge wires. Below-ceiling accessible.
MOUNTING	<b>Cutout diameter: ø 4-1/4" (108 mm)</b> Can fit ceilings up to 1-1/2" (38 mm) thick. Requires a 6" (152 mm) clearance beyond the ceiling level. Contrast hooks for ease of installation and a perfect fit to ceiling. Mounting bars extend from 10" (254 mm) to 24-1/2" (622 mm) to fit in most ceilings. No light leakage.
POWER	9W LED driver (9W power consumption)
VOLTAGE	120 Volts
DIMMING	Compatible with Electronic Low Voltage (ELV) dimmers. Due to constant evolution of associated dimmers we must test them regularly. We invite you to consult frequently our Web site to find our suggested compatible dimmers list: <a href="http://www.contrastlighting.com">www.contrastlighting.com</a>
COMPATIBLE TRIMS	ECO2L2A ECO2L2B ECO2L2C (Not certified Energy Star) ECO2L2D
CERTIFICATION	<ul style="list-style-type: none"> <li>cULus <b>E343977</b> for damp locations; wet with shower trim only</li> <li>Title 24</li> <li>ASTM E283</li> <li>Certified Energy Star</li> </ul>
WARRANTY	5 years on LED driver



### CODIFICATION EXAMPLE



### ORDERING CODE

MODEL	SOURCE	SERIES	VOLTAGE
<b>ECO2NW</b>	<b>L</b>	<b>200</b>	<b>-120D</b>
ECO2NW New Construction	L LED	200 200 Series	-120D 120V Compatible Dimming

