

ECO2ISL300

3-1/2" ECO²LED Series

Project _____

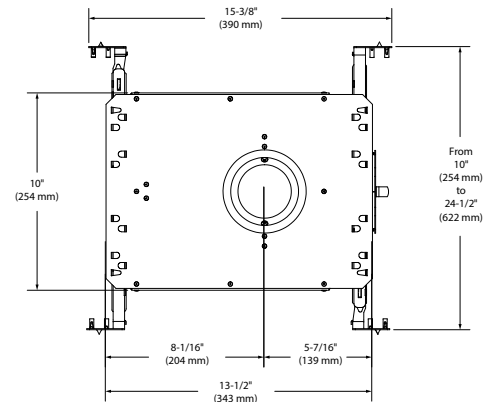
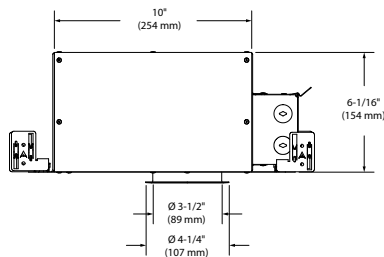
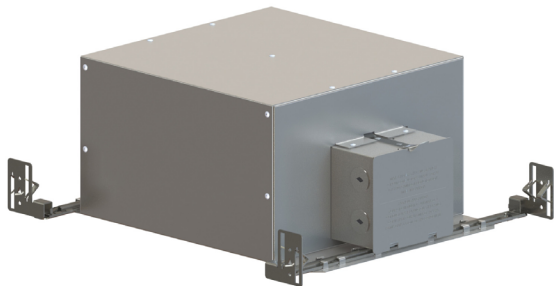
Notes _____

Fixture Type _____

Date _____

IC and Air Tight Box

Approved for installation in polyurethane



SPECIFICATIONS

HOUSING DETAILS

Up to 0,051" (1,3 mm) thick galvanized steel housing with integrated "IC" box.
 Approved for installation in insulated ceilings and in direct contact with insulating material (except polyurethane).
 Junction box can support up to 10 x 14 gauge wires or 8 x 12 gauge wires.
 Below-ceiling accessible.
 Available with a specific "Chicago Plenum" junction box (optional).

MOUNTING

Cutout diameter: ø 3-5/8" (92 mm)
 Can fit ceilings up to 1-1/2" (38 mm) thick.
 Requires a 7" (178 mm) clearance beyond the ceiling level.
 Contrast hooks for ease of installation and a perfect fit to ceiling.
 Mounting bars extend from 10" (254 mm) to 24-1/2" (622 mm) to fit in most ceilings.
 No light leakage.

POWER

9W LED driver

VOLTAGE

120 Volts
 110 Volts to 277 Volts (No compatible dimming)

DIMMING

Compatible with Electronic Low Voltage (ELV) dimmers.
 Due to constant evolution of associated dimmers we must test them regularly.
 We invite you to consult frequently our Web site to find our suggested compatible dimmers list: www.contrastlighting.com

COMPATIBLE TRIMS

ECO2L3A
 ECO2L3B
 ECO2L3C (Not certified Energy Star)
 ECO2L3D

ECO2ISL300

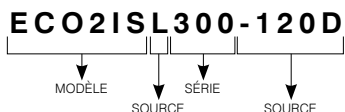
3-1/2" ECO²LED Series

SPECIFICATIONS (CONT'D)

CERTIFICATION	<ul style="list-style-type: none"> cULus E343977 for damp locations; wet with shower trim only Title 24 ASTM E283 Certified Energy Star (Only with 120 Volts)
---------------	--

WARRANTY	5 years on LED driver
----------	-----------------------

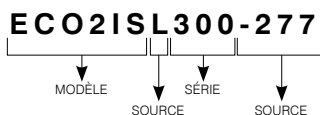
120V CODIFICATION EXAMPLE



ORDERING CODES for 120V

MODEL	SOURCE	SERIES	OPTION	VOLTAGE
ECO2IS	L	300		-120D
ECO2IS IC and Air Tight Box	L LED	300 300 Series	Without option	-120D 120V (Compatible Dimming)
			P Chicago Plenum and direct contact with polyurethane	

277V CODIFICATION EXAMPLE



ORDERING CODES for 277V

MODÈLE	SOURCE	SÉRIE	OPTION	TENSION
ECO2IS	L	300		-277
ECO2IS IC and Air Tight Box	L LED	300 300 Series	Without option	-277 110V to 277V
			P Chicago Plenum and direct contact with polyurethane	

CONTRASTE

1009, rue du Parc Industriel
Lévis (Québec) G6Z 1C5 Canada

Tel.: 1-888-839-4624
Fax.: 1-877-839-7057

info@contrastlighting.com



© 2017 Contrast Lighting M.L. Inc.
All rights reserved

Contrast Lighting reserves the right to make changes in specifications and/or to discontinue any product at any time without notice or obligation and will not be liable for any consequences resulting from the use of this publication.