

D2000

4" Series

Low Profile Adjustable Trim

SPECIFICATIONS

TRIM	Powder coat painted or plated die-formed steel. Different finishes available. Painted finishes available with Marine Grade option.	
LAMPS (maximum wattage)	PAR20 LED 10W	PAR20 35-50W PAR20 Ceramic Metal Halide (CMH) 39W
CEILING CUTOUT	Ø 4-1/4" (108 mm)	
CERTIFICATION	<ul style="list-style-type: none"> cULus E343977 for damp locations (for PAR20 LED lamps) cULus E174023 for damp locations (for PAR20 halogen lamps) cULus E331150 for damp locations (for PAR20 CMH lamps) 	
WARRANTY	1 year for standard finishes, 2 years on "Marine Grade" finishes.	

Project _____

Notes _____

Fixture Type _____

Date _____

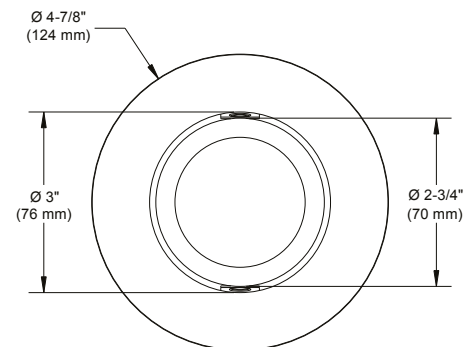
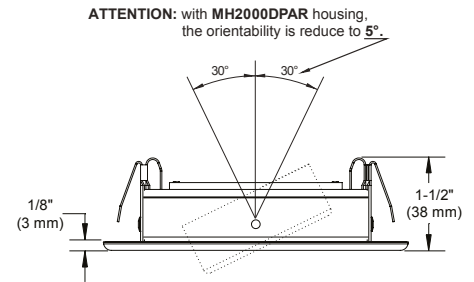


D2000-13 (illustrated)
(Lamp not included)

COMPATIBLE HOUSINGS

	IC Air Tight Remodel Housing	IC Air Tight New Construction Housing
LED	PAR20 LED 10W CA2000-LED	PAR20 LED 10W NW2000CA-LED

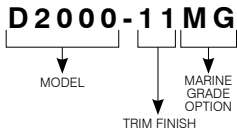
	Remodel Housing	New Construction Housing	Insulated Housing
HALOGENS	PAR20 50W CA2000U	PAR20 50W NW2000CAU	PAR20 35W ISCA2000
CMH	PAR20 (CMH) 39W MH2000PAR139 Attention: with this housing, the orientability of the D2000 trim is reduced to 5°.		



D2000

4" Series

CODIFICATION EXAMPLE



ORDERING CODE

MODEL	TRIM FINISHES	CENTER	MARINE GRADE
D2000			
D2000	<ul style="list-style-type: none"> -01 White -02 Black -03 Gold Plated 24K -04 Chrome -04BR Brushed Chrome -05 Architectural Bronze -06 Antique Copper -11 Matte White -12BR Brushed Nickel -13 Satin Nickel -15 Metallic Grey -17 Antique Nickel 	<p>Standard: Smooth center On all finishes except -03 and -04 whose centers are striated.</p> <p>For a polished center on -03 and -04 finishes, add P to code.</p>	<p>MG (optional) May be applied on finishes: -01, -02, -05, -06, -11 and -15</p>

MARINE GRADE - Unless otherwise indicated, trims are for interior, cold and exterior locations where fixtures are not subject to direct rain or snow exposure as in soffits. MARINE GRADE treatment is recommended for exterior, shower and high salinity environment.



CONTRASTE

1009, rue du Parc Industriel
Lévis (Québec) G6Z 1C5 Canada
Tel.: 1-888-839-4624
Fax.: 1-877-839-7057
contrastlighting.com
info@contrastlighting.com

© 2017 Contrast Lighting M.L. Inc.
All rights reserved

Contrast Lighting M.L. Inc reserves the right to make changes in specifications and/or to discontinue any product at any time without notice or obligation and will not be liable for any consequences resulting from the use of this publication.