

Champagne 1

Signature Suspension Made of Hand Blown Glass

Project _____

Notes _____

Fixture Type _____

Date _____



CHA103BR-2206 (illustrated)



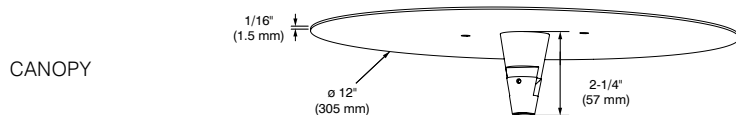
CHA119-H06 (illustrated)

Hand-Crafted Glass Lamp Shades: Minor irregularities further enhance the hand-crafted uniqueness.



SPECIFICATIONS

Made of 0.06" (1.5 mm) thick cold rolled steel.



Available in 1 painted color and 5 plated finishes to harmonize the support and lampholder.

INSTALLATION This canopy fits on 4" (103 mm) junction boxes.

STEM 1/2" (13 mm) Steel stem matching the canopy color offered in increments of 6" (152 mm), up to 48" (1,219 mm).

MEDIUM BASE/E26 SPECIFICATIONS (CHAMPAGNE 1)

SOCKET Medium Base E26 / E27

SOURCE 120V Line Voltage 60W maximum Lamp (non included) / 11W maximum for copper finishes (**18 and 19**) (non included)

POWER SUPPLY 120V / 240V Line Voltage

DIMMING Refer to lamp manufacturer specifications

CERTIFICATION cULus **E172892**

WARRANTY 1 year on components against manufacturing defects.

CONTRASTE

1009, rue du Parc Industriel
Lévis (Québec) G6Z 1C5 Canada
Tel.: 1-888-839-4624
Fax.: 1-877-839-7057
contrastlighting.com
info@contrastlighting.com

© 2017 Contrast Lighting M.L. Inc.
All rights reserved

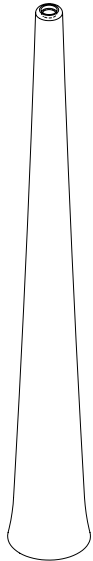
Contrast Lighting M.L. Inc reserves the right to make changes in specifications and/or to discontinue any product at any time without notice or obligation and will not be liable for any consequences resulting from the use of this publication.

Champagne 1

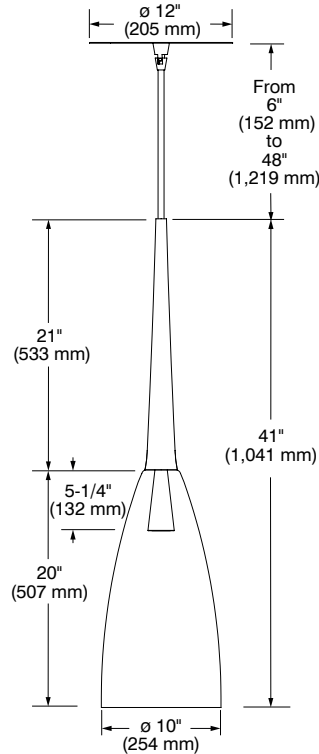
Signature Suspension Made of Hand Blown Glass

DECORATIVE SLEEVE

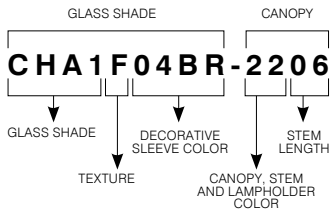
Made of high quality aluminum.
(Available in 5 plated finishes)



DIMENSIONS FOR CHAMPAGNE 1



CODIFICATION EXAMPLE CHAMPAGNE 1



ORDERING CODE Champagne 1

GLASS SHADE			CANOPY	
GLASS SHADE	TEXTURE	DECORATIVE SLEEVE COLOR	CANOPY, STEM AND LAMPHOLDER COLOR	STEM LENGTH
CHA1				
CHA1	Clear	03BR Brushed Gold	H Harmonized with decorative sleeve	06 6 inches
	Frosted	03SA Satin Gold	22 Matte Black	12 12 inches
		04BR Brushed Chrome		18 18 inches
		18 Copper		24 24 inches
		19 Satin Copper		30 30 inches
				36 36 inches
				42 42 inches
				48 48 inches

CONTRASTE

1009, rue du Parc Industriel
Lévis (Québec) G6Z 1C5 Canada
Tel.: 1-888-839-4624
Fax.: 1-877-839-7057
contrastlighting.com
info@contrastlighting.com

© 2017 Contrast Lighting M.L. Inc.
All rights reserved

Contrast Lighting M.L. Inc reserves the right to make changes in specifications and/or to discontinue any product at any time without notice or obligation and will not be liable for any consequences resulting from the use of this publication.