

CA2550U

3-1/2" PAR20 Series

White Painted Remodel Housing for PAR20 Lamp (No Trim Required)

SPECIFICATIONS

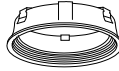
HOUSING DETAILS	18 gauge 0.051" (1.3 mm) thickness galvanized steel. Junction box can support up to 10 - 14 gauge wires or 8 - 12 gauge wires. Below-ceiling accessible.
SOCKET	Porcelain; medium base socket (E26). Pre-wired with 18 gauge wire SEW 200°C connected to the junction box.
MOUNTING	Cutout diameter: Ø 3-5/8" (92 mm) Can fit in ceilings up to 7/8" (22 mm) thick. Requires a 6" (152 mm) clearance beyond the ceiling level. Patented hook (PAT#CAN 2,088,648 and #USA 5,377,088) for ease of installation and a perfect fit to ceiling. No light leakage.

LIGHT SOURCE	PAR20 Halogen 50W MAX This product was designed for a PAR20 halogen lamp. If you want to use dimming and you replace PAR20 lamp by an equivalent LED PAR20 lamp, please refer regularly to the lamp manufacturer dimmer compatibility list.
--------------	---

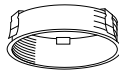
COMPATIBLE TRIMS	C2550 Collar (all standard finishes are available)
------------------	--



BAFRE2550 Baffle (-01 White / -02 Black)



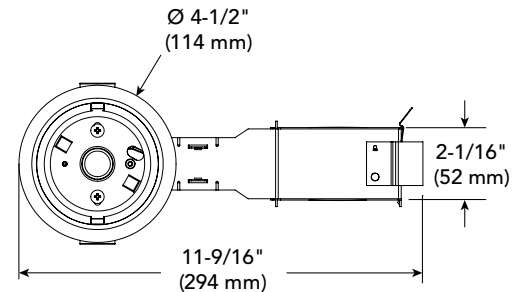
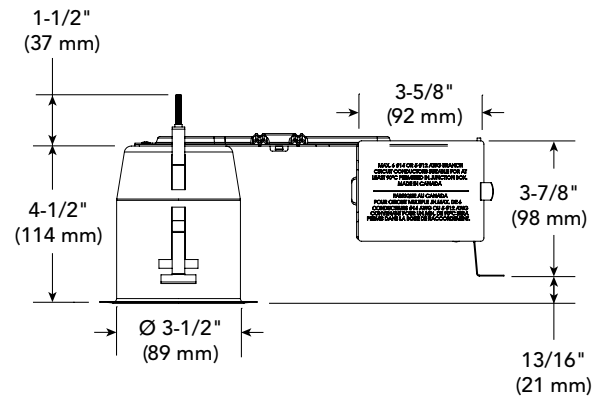
REFRE2550 Reflector (-BK Black / -CL Clear)



*The C2550 collar requires either a BAFRE2550 baffle or REFRE2550 reflector for fixed.

VOLTAGE	120V Volts (CAN & USA)
THERMAL PROTECTION	TC 212°F (100°C)
CERTIFICATION	cULus E174023 for damp locations
WARRANTY	5 years on socket.

Project	
Notes	
Fixture Type	
Date	



CONTRASTE

1009, rue du Parc Industriel
Lévis (Québec) G6Z 1C5 Canada
Tel.: 1-888-839-4624
Fax.: 1-877-839-7057
contrastlighting.com
info@contrastlighting.com

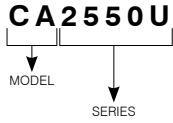
© 2016 Contrast Lighting M.L. Inc.
All rights reserved

Contrast Lighting M.L. Inc reserves the right to make changes in specifications and/or to discontinue any product at any time without notice or obligation and will not be liable for any consequences resulting from the use of this publication.

CA2550U

3-1/2" PAR20 Series

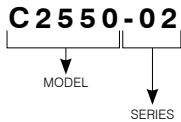
HOUSING CODIFICATION EXAMPLE



ORDERING CODE

MODEL	SERIES	BAFFLE (BAFRE2550) / REFLECTOR (REFRE2550) OPTIONAL	
CA	2550U	Reflector	Baffle
CA Remodel Housing for PAR20 Lamp	2550U Universal 3-1/2" PAR20 Series	-BK Black -CL Clear	-01 White -02 Black

COLLAR CODIFICATION EXAMPLE



ORDERING CODE

MODEL	COLLAR FINISH	MARINE GRADE
C2550		
C2550	-01 White -02 Black -03 Gold Plated 24K -04 Chrome -04BR Brushed Chrome -05 Architectural Bronze -06 Antique Copper -11 Matte White -12BR Brushed Nickel -13 Satin Nickel -15 Metallic Grey	MG (optional) May be applied on finishes: -01, -02, -05, -06, -11 and -15