

CA2000U

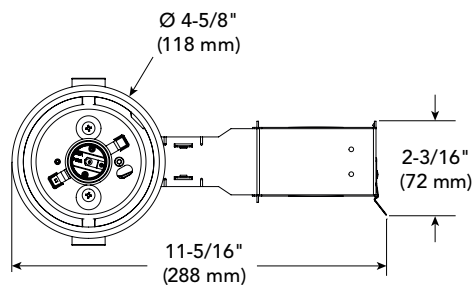
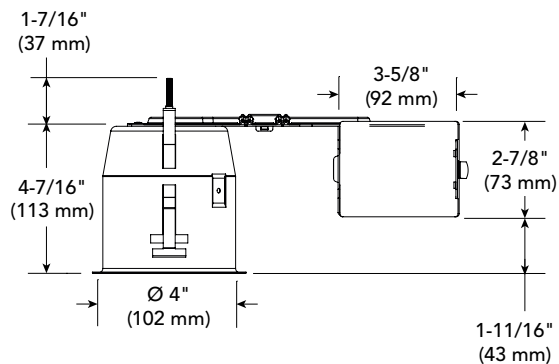
4" 2000 Series

Project	
Notes	
Fixture Type	
Date	

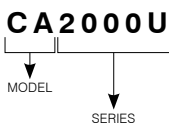
Remodel Housing for Adjustable or Fixed PAR20 Lamp

SPECIFICATIONS

HOUSING DETAILS	18 gauge 0.051" (1.3 mm) thickness galvanized steel. Junction box can support up to 10 - 14 gauge wires or 8 - 12 gauge wires. Below-ceiling accessible.												
SOCKET	Porcelain; medium base socket (E26). Pre-wired with 18 gauge wire SEW 200°C connected to the junction box.												
MOUNTING	Cutout diameter: Ø 4-1/4" (107 mm) Can fit in ceilings up to 7/8" (22 mm) thick. Requires a 6" (152 mm) clearance beyond the ceiling level. Patented hook (PAT#CAN 2,088,648 and #USA 5,377,088) for ease of installation and a perfect fit to ceiling. No light leakage.												
LIGHT SOURCE	PAR20 Halogen 50W MAX This product was designed for a PAR20 halogen lamp. If you want to use dimming and you replace PAR20 lamp by an equivalent LED PAR20 lamp, please refer regularly to the lamp manufacturer dimmer compatibility list.												
COMPATIBLE TRIMS	PAR20 50W <table border="1"> <tr> <td>A2000</td> <td>A2100</td> <td>A2450S</td> </tr> <tr> <td>A2000V</td> <td>A2100VT</td> <td>A2450VT</td> </tr> <tr> <td>A2000VL</td> <td>A2120</td> <td>D2000</td> </tr> <tr> <td>A2020</td> <td>A2400S</td> <td>D2100</td> </tr> </table>	A2000	A2100	A2450S	A2000V	A2100VT	A2450VT	A2000VL	A2120	D2000	A2020	A2400S	D2100
A2000	A2100	A2450S											
A2000V	A2100VT	A2450VT											
A2000VL	A2120	D2000											
A2020	A2400S	D2100											
VOLTAGE	120V Volts (CAN & USA)												
THERMAL PROTECTION	TC 212°F (100°C)												
CERTIFICATION	cULus E174023 for damp locations												
WARRANTY	5 years on socket												



CODIFICATION EXAMPLE



ORDERING CODE

MODEL	SERIE
CA	2000U
CA Remodel Housing	2000U Universal 4" Series

