

# Ardito LED - A2SAR

2-1/2" Series

**Ultra-Thin Profile Square Adjustable Regressed Trim**

Project \_\_\_\_\_  
 Notes \_\_\_\_\_  
 Fixture Type \_\_\_\_\_  
 Date \_\_\_\_\_



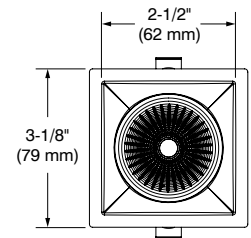
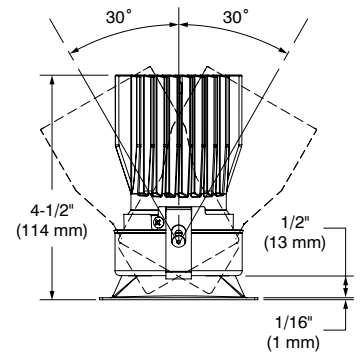
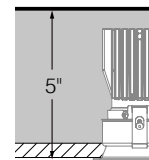
A2SAR-11-XXX (illustrated)

Ultra-Thin Profile Square Adjustable Regressed Trim, 2-1/2" high efficiency dimmable LED downlight provides up to 30° tilt adjustable from below ceiling. Offered in Remodel configuration (NON-IC) or with optional mounting plate for a new construction configuration (NON-IC).



## SPECIFICATIONS

COLOR TEMPERATURE	2,700K - 3,000K - 3,500K - 4,000K				
CRI	90+				
POWER SUPPLY	120V -277V One driver available in performance 1 (14W) and offers 2 dimming options: ELV: 120V (14W) (120V only) 0-10V: 120V (14W) (120V only) Consult housing specification sheet for more details.				
HOUSING DETAILS	Requires a 5" (127 mm) clearance beyond the ceiling level. Each part of the housing should be at LEAST 3" (76 mm) from insulation. Can fit in 1/2" (12 mm) to 1-3/8" (35 mm) thick ceiling. Junction Box is accessible from below the ceiling for ease of maintenance.				
COMPATIBLE HOUSING	<table border="1" style="margin-left: auto; margin-right: auto;"> <thead> <tr> <th colspan="2">Remodel Housing</th> </tr> </thead> <tbody> <tr> <td style="text-align: center;"><b>Performance 1</b></td> <td style="text-align: center;">REA2V1</td> </tr> </tbody> </table> <p>For dimming, please visit our Web site frequently to find our dimmer compatibility list: <a href="http://www.contrastlighting.com">www.contrastlighting.com</a></p>	Remodel Housing		<b>Performance 1</b>	REA2V1
Remodel Housing					
<b>Performance 1</b>	REA2V1				
DELIVERED LUMENS	<b>Performance 1 (14W):</b> 1,037 lumens @ 3,000K, 78.5 lm/W				



## SPECIFICATION SHEET

**Ardito LED - A2SAR**

2-1/2" Series

**Ultra-Thin Profile Square Adjustable Regressed Trim**

## SPECIFICATIONS (CONT'D)

LED ARRAY	<p><b>Standard:</b> Lumileds Luxeon CoB 1203 GEN2 delivers a lumen maintenance greater than 70% after 50,000 hours of operation (L<sub>70</sub>) and provides a high quality true color and a clean white light without hot spots. Color binning within 3 steps on MacAdam ellipse which surpasses ANSI binning requirements.</p>						
TRIM FINISHES	<p>Powder coated paint or plated die formed steel. Different finishes available: 24K Plated Gold <b>(-03)</b>, Brushed Chrome <b>(-04BR)</b>, Matte White <b>(-11)</b>, Brushed Nickel <b>(-12BR)</b>, Satin Nickel <b>(-13)</b>, Antique Nickel <b>(-17)</b> and Matte Black <b>(-22)</b></p> <p>Interchangeable optional optical reflectors and lenses available to customize your lighting.</p> <p><b>Choice of available lenses:</b> Clear <b>(C)</b> (included)</p> <p><b>Accessories (sold separately):</b> Frosted <b>(F)</b>, Honeycombs <b>(H)</b>, Linear <b>(L)</b>, Prismatic <b>(P)</b> and Solite <b>(S)</b> (Color lenses available upon request)</p> <p><b>Optical reflectors available:</b></p> <table border="1"> <thead> <tr> <th colspan="2">Beams</th> </tr> </thead> <tbody> <tr> <td>Narrow Flood <b>(M)</b></td> <td>25°</td> </tr> <tr> <td>Flood <b>(W)</b></td> <td>44°</td> </tr> </tbody> </table> <p><b>Average beams shown. Consult .ies files on our Web site for more details.</b></p>	Beams		Narrow Flood <b>(M)</b>	25°	Flood <b>(W)</b>	44°
Beams							
Narrow Flood <b>(M)</b>	25°						
Flood <b>(W)</b>	44°						
OPTIC SYSTEM							
ADJUSTABILITY	30° aiming (2 ways)						
HEAT SINK	High quality aluminum injected heat sink ensuring maximum heat dissipation						
THERMAL PROTECTION	Performance 1: TC 194°F (90°C)						
CEILING CUTOUT	<p><b>2-5/8" x 2-5/8" (67 mm x 67 mm)</b></p> <p><b>Included:</b> Cardbord cutout template <b>Optional:</b> Reusable steel cutout template for square trim <b>(TEMP-SQ)</b></p>						
CERTIFICATION	<ul style="list-style-type: none"> <li>cULus <b>E343977</b> for damp locations</li> </ul>						
WARRANTY	<p>1 year on components against manufacturing defects 5 years on LED arrays and drivers</p>						

**CONTRASTE**

# Ardito LED - A2SAR

2-1/2" Series

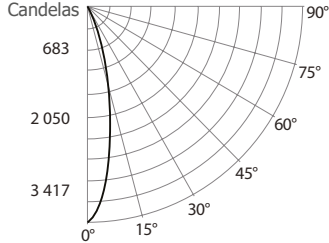
Ultra-Thin Profile Square Adjustable Regressed Trim

PHOTOMETRIC DATA



**3,000K, 90+ CRI, Narrow Flood, performance 1**

**CANDLEPOWER DISTRIBUTION**



**LIGHT CONE**

Distance	FC	DIA
06'	113	2.5
08'	63.6	3.4
10'	40.7	4.2
12'	28.3	5.1
14'	20.8	5.9
16'	15.9	6.7

Beam: 24°  
Beam Edge defined as 50% of Maximum Nadir Candle-power.

**LUMINAIRE**

Performance 1 LED	3,000K	Narrow Flood
CBCP / Lumens	4,068	/ 1,037
Watts	120V	277V
	13.2W	13.7W
Operating AMPS	0.11A	0.049A
Lumen Maintenance	L70 @ 50,000 Hrs	
CRI	90+	
Lumens/Watt	78.5	
Spacing Criteria	0.77	

**COEFFICIENT OF UTILIZATION - %**

Ceiling Reflect %	80			50			30		
Wall Reflect %	50	30	50	30	50	30	50	30	
RCR	0	119	119	111	111	106	106	106	
	2	107	104	102	100	99	98		
	4	98	94	95	91	93	90		
	6	90	86	88	84	87	84		
	8	84	79	82	79	81	78		
	10	78	74	77	74	77	73		

Zonal Cavity Method  
Effective Floor Cavity Reflectance 20%

**ZONAL LUMEN SUMMARY**

ZONE	LUMENS	%LUMINAIRE
0-30	976.3	94.1%
0-40	1,036.4	99.9%
0-60	1,036.9	100%
60-90	0.0	0%
0-180	1,037	100%

**MULTIPLE UNIT DATA - (RCR 2)**

SPACING ON CENTER	INITIAL FOOTCANDLES	WATTS/ SQ. FT.
5'	49	0.59
6'	28	0.33
7'	19	0.23
8'	19	0.23
9'	12	0.15

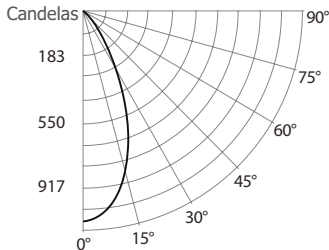
38' x 38' x 10' Room. Workplan located 2-1/2' (30").  
Reflectance factor 80%/50%/30%

**CANDELAS DISTRIBUTION**

DEGREES/ VERTICAL	CANDELAS	DEGREES/ VERTICAL	CANDELAS
0	4,068	40	1
5	3,507	50	0
10	2,422	60	0
15	1,397	70	0
20	783	80	0
25	494	90	0
30	255		

**3000K, 90+ CRI, Flood, performance 1**

**CANDLEPOWER DISTRIBUTION**



**LIGHT CONE**

Distance	FC	DIA
06'	50.9	5.0
08'	28.6	6.7
10'	18.3	8.3
12'	12.7	10.0
14'	9.3	11.7
16'	7.2	13.4

Beam: 45°  
Beam Edge defined as 50% of Maximum Nadir Candle-power.

**LUMINAIRE**

Performance 1 LED	3,000K	Flood
CBCP / Lumens	1,832	/ 976
Watts	120V	277V
	14.2W	14.7W
Operating AMPS	0.12A	0.053A
Lumen Maintenance	L70 @ 50,000 Hrs	
CRI	90+	
Lumens/Watt	68.7	
Spacing Criteria	0.99	

**COEFFICIENT OF UTILIZATION - %**

Ceiling Reflect %	80			50			30		
Wall Reflect %	50	30	50	30	50	30	50	30	
RCR	0	119	119	111	111	106	106	106	
	2	106	102	101	98	98	96		
	4	95	90	92	88	90	87		
	6	86	81	84	80	82	79		
	8	78	73	77	72	76	72		
	10	72	67	71	66	70	66		

Zonal Cavity Method  
Effective Floor Cavity Reflectance 20%

**ZONAL LUMEN SUMMARY**

ZONE	LUMENS	%LUMINAIRE
0-30	889.2	91.1%
0-40	972.2	99.9%
0-60	975.6	100%
60-90	0.4	0%
0-90	976	100%

**MULTIPLE UNIT DATA - (RCR 2)**

SPACING ON CENTER	INITIAL FOOTCANDLES	WATTS/ SQ. FT.
5'	46	0.63
6'	26	0.35
7'	18	0.25
8'	18	0.25
9'	11	0.16

38' x 38' x 10' Room. Workplan located 2-1/2' (30").  
Reflectance factor 80%/50%/30%

**CANDELAS DISTRIBUTION**

DEGREES/ VERTICAL	CANDELAS	DEGREES/ VERTICAL	CANDELAS
0	1,832	40	14
5	1,793	50	1
10	1,666	60	0
15	1,440	70	0
20	1,119	80	0
25	737	90	0
30	370		

# CONTRASTE

1009, rue du Parc Industriel  
Lévis (Québec) G6Z 1C5 Canada  
Tel.: 1-888-839-4624  
Fax.: 1-877-839-7057  
contrastlighting.com  
info@contrastlighting.com

© 2017 Contrast Lighting M.L. Inc.  
All rights reserved

Contrast Lighting M.L. Inc. reserves the right to make changes in specifications and/or to discontinue any product at any time without notice or obligation and will not be liable for any consequences resulting from the use of this publication.

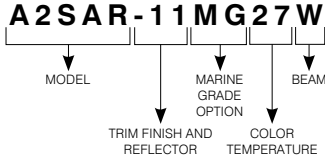
# Ardito LED - A2SAR

2-1/2" Series

## Ultra-Thin Profile Square Adjustable Regressed Trim



### CODIFICATION EXAMPLE



### ORDERING CODE **A2SAR**

MODEL	TRIM AND REFLECTOR FINISHES	MARINE GRADE	COLOR TEMPERATURES	BEAMS
<b>A2SAR</b>				
<b>A2SAR</b>	<b>-03</b> Gold Plated 24K	<b>MG</b> (optional)	<b>27</b> 2,700K	<b>M</b> Narrow Flood (25°)
	<b>-04BR</b> Brushed Chrome	May be applied	<b>30</b> 3,000K	<b>W</b> Flood (44°)
	<b>-11</b> Matte White	on finishes:	<b>35</b> 3,500K	
	<b>-12BR</b> Brushed Nickel	-11 and -22	<b>40</b> 4,000K	
	<b>-13</b> Satin Nickel			
	<b>-17</b> Antique Nickel			
	<b>-22</b> Matte Black			

### ORDERING CODE **for replacement lenses and reflectors**

For future on-site modifications of the light distribution.

#### Lenses (to modify light diffusion)

Clear: **103584** (included)  
 Frosted: **316228**  
 Linear: **103092**  
 Solite: **104038**  
 Prismatic: **103095**  
 Honeycombs: **103089**

#### Reflectors (to modify the beam angle)

For a Narrow Flood: **103901**  
 For a Flood: **103902**

# CONTRASTE

1009, rue du Parc Industriel  
 Lévis (Québec) G6Z 1C5 Canada  
 Tel.: 1-888-839-4624  
 Fax.: 1-877-839-7057  
 contrastlighting.com  
 info@contrastlighting.com

© 2017 Contrast Lighting M.L. Inc.  
 All rights reserved

Contrast Lighting M.L. Inc. reserves the right to make changes in specifications and/or to discontinue any product at any time without notice or obligation and will not be liable for any consequences resulting from the use of this publication.