

# A2000

## 4" Series

### Low Profile Regressed Trim

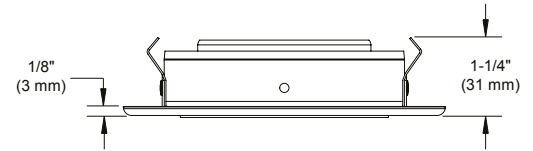
Project	
Notes	
Fixture Type	
Date	

#### SPECIFICATIONS

TRIM	Powder coat painted or plated die-formed steel. Different finishes available. Painted finishes available with Marine Grade option.	
LAMPS (maximum wattage)	<b>PAR20 LED</b> 10W	<b>PAR20</b> 50W <b>PAR20</b> Ceramic Metal Halide ( <b>CMH</b> ) 39W
	If you want to use the dimming option and you use a PAR20 LED lamp, please refer regularly to the lamp manufacturer compatibility list.	
REFLECTORS	<b>Standard: Black semi glossy.</b> Painted White reflector is available with white trim (A2000-01W). Painted Matte White reflector is available with matte white trim (A2000-11W).	
CEILING CUTOUT	<b>Ø 4-1/4" (108 mm)</b>	
CERTIFICATION	<ul style="list-style-type: none"> <li>• cULus <b>E343977</b> for <b>damp locations</b> (for PAR20 LED lamps)</li> <li>• cULus <b>E174023</b> for <b>damp locations</b> (for PAR20 halogen lamps)</li> <li>• cULus <b>E331150</b> for <b>damp locations</b> (for PAR20 CMH lamps)</li> </ul>	
WARRANTY	1 year for standard finishes, 2 years on "Marine Grade" finishes.	

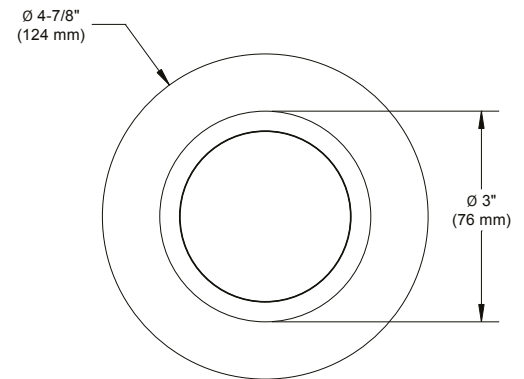


A2000-01W (illustrated)  
(Lamp not included)



#### COMPATIBLE HOUSINGS

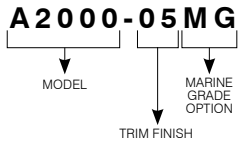
	IC Air Tight Remodel Housing	IC Air Tight New Construction Housing	
LED	<b>PAR20 LED</b> 10W CA2000-LED	<b>PAR20 LED</b> 10W NW2000CA-LED	
	<b>Remodel Housing</b>	<b>New Construction Housing</b>	<b>Insulated Housing</b>
HALOGENS	<b>PAR20</b> 50W CA2000U	<b>PAR20</b> 50W NW2000CAU	<b>PAR20</b> 50W ISCA2000
CMH	<b>PAR20 (CMH)</b> 39W MH2000PAR139	Non Available	Non Available



# A2000

4" Series

## CODIFICATION EXAMPLE



## ORDERING CODE

MODEL	TRIM FINISH	REFLECTOR	MARINE GRADE
<b>A2000</b>			
A2000	<b>-01</b> White	Standard: Black	<b>MG</b> (optional)
	<b>-02</b> Black	<b>W</b> White reflector is available with white trim.	May be applied on finishes:
	<b>-03</b> Gold Plated 24K	<b>W</b> Matte white reflector is available with matte white trim.	-01, -02, -05, -06, -11 and -15
	<b>-04</b> Chrome		
	<b>-04BR</b> Brushed Chrome		
	<b>-05</b> Architectural Bronze		
	<b>-06</b> Antique Copper		
	<b>-11</b> Matte White		
	<b>-12BR</b> Brushed Nickel		
	<b>-13</b> Satin Nickel		
	<b>-15</b> Metallic Grey		
	<b>-17</b> Antique Nickel		

**MARINE GRADE** - Unless otherwise indicated, trims are for interior, cold and exterior locations where fixtures are not subject to direct rain or snow exposure as in soffits. MARINE GRADE treatment is recommended for exterior, shower and high salinity environment.



# CONTRASTE

1009, rue du Parc Industriel  
Lévis (Québec) G6Z 1C5 Canada  
Tel.: 1-888-839-4624  
Fax.: 1-877-839-7057  
contrastlighting.com  
info@contrastlighting.com

© 2017 Contrast Lighting M.L. Inc.  
All rights reserved

Contrast Lighting M.L. Inc reserves the right to make changes in specifications and/or to discontinue any product at any time without notice or obligation and will not be liable for any consequences resulting from the use of this publication.