

A2000VL

4" Series

Trim with Smooth Natural Frosted Glass

SPECIFICATIONS

TRIM	Powder coated paint or plated die-formed steel. Different finishes available. Painted finishes available with Marine Grade option.	
LAMPS (maximum wattage)	PAR20 LED 10W	COMPACT FLUORESCENT 13W, 18W, 26W or 32W PAR20 50W
	If you want to use the dimming option and you use a PAR20 LED lamp, please refer regularly to the lamp manufacturer compatibility list.	
GLASS	Smooth natural frosted glass	
CEILING CUTOUT	Ø 4-1/4" (108 mm)	
CERTIFICATION	<ul style="list-style-type: none"> • cULus E343977 for damp locations (for PAR20 LED lamps) • cULus E174023 for damp locations (for PAR20 halogen lamps) • cULus E175084 for damp locations (for Compact Fluorescent lamps) 	
WARRANTY	1 year for standard finishes, 2 years on "Marine Grade" finishes.	

Project _____

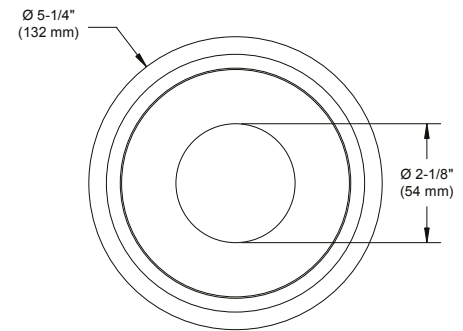
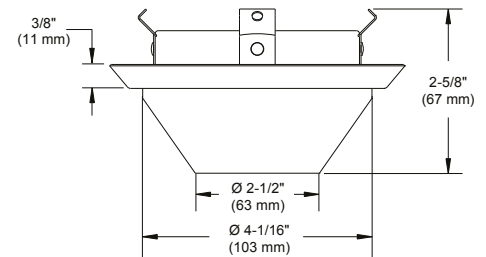
Notes _____

Fixture Type _____

Date _____



A2000VL-12BR (illustrated)
(Lamp not included)



COMPATIBLE HOUSINGS

	IC Air Tight Remodel Housing	IC Air Tight New Construction Housing
LED	PAR20 LED 10W CA2000-LED	PAR20 LED 10W NW2000CA-LED

	Remodel Housing	New Construction Housing	Insulated Housing
HALOGENS	PAR20 E26 50W CA2000U	PAR20 E26 50W NW2000CAU	PAR20 E26 50W ISCA2000
FLUORESCENT	CFL 13W 2 PIN DTT F2000 F2000L	CFL 13W 4 PIN DTT NWF2000U13	CFL 13W 2 PIN DTT ISF2000
	CFL 13W 4 PIN DTT F2000U13	CFL 18W 4 PIN TTT NWF2000LU18 NWF2000U18	CFL 13W 4 PIN DTT ISF2000U13
	CFL 18W 4 PIN TTT F2000LU18 F2000U18	CFL 26W 4 PIN TTT NWF2000LU26 NWF2000U26	CFL 18W 4 PIN TTT ISF2000U18 ISF2000LU18
	CFL 26W 4 PIN TTT F2000LU26 F2000U26	CFL 32W 4 PIN TTT NWF2000LU32	



CONTRASTE

1009, rue du Parc Industriel
Lévis (Québec) G6Z 1C5 Canada
Tel.: 1-888-839-4624
Fax.: 1-877-839-7057
contrastlighting.com
info@contrastlighting.com

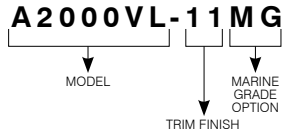
© 2017 Contrast Lighting M.L. Inc.
All rights reserved

Contrast Lighting M.L. Inc reserves the right to make changes in specifications and/or to discontinue any product at any time without notice or obligation and will not be liable for any consequences resulting from the use of this publication.

A2000VL

4" Series

CODIFICATION EXAMPLE



ORDERING CODE

MODEL	TRIM FINISHES	MARINE GRADE
A2000VL		
A2000VL	<ul style="list-style-type: none"> -01 White -02 Black -03 Gold Plated 24K -04 Chrome -04BR Brushed Chrome -05 Architectural Bronze -06 Antique Copper -11 Matte White -12BR Brushed Nickel -13 Satin Nickel -15 Metallic Grey -17 Antique Nickel 	<p>MG (optional)</p> <p>May be applied on finishes: -01, -02, -05, -06, -11 and -15</p>

MARINE GRADE - Unless otherwise indicated, trims are for interior, cold and exterior locations where fixtures are not subject to direct rain or snow exposure as in soffits. MARINE GRADE treatment is recommended for exterior, shower and high salinity environment.



CONTRASTE

1009, rue du Parc Industriel
Lévis (Québec) G6Z 1C5 Canada
Tel.: 1-888-839-4624
Fax.: 1-877-839-7057
contrastlighting.com
info@contrastlighting.com

© 2017 Contrast Lighting M.L. Inc.
All rights reserved

Contrast Lighting M.L. Inc reserves the right to make changes in specifications and/or to discontinue any product at any time without notice or obligation and will not be liable for any consequences resulting from the use of this publication.